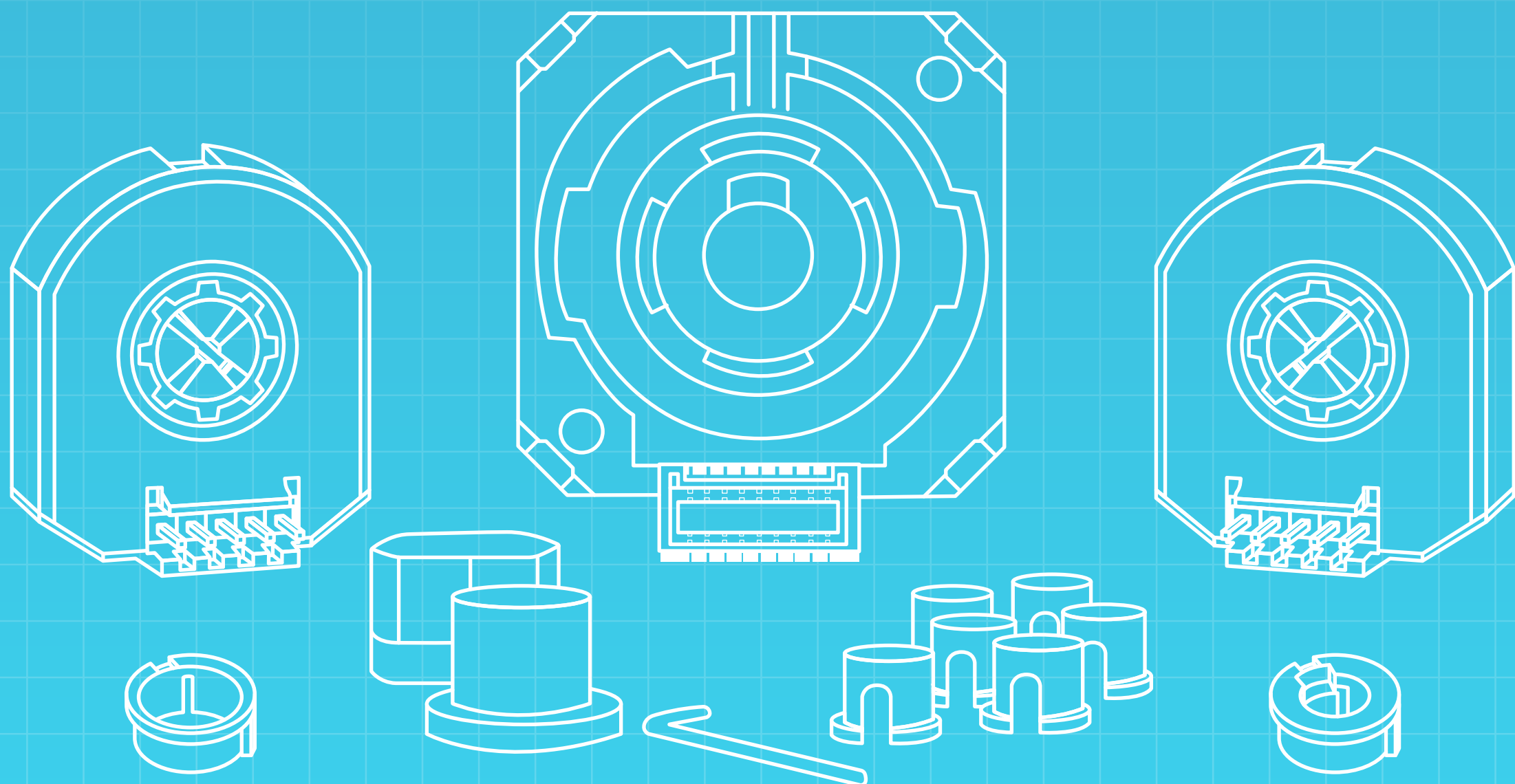


OVER

1,000,000

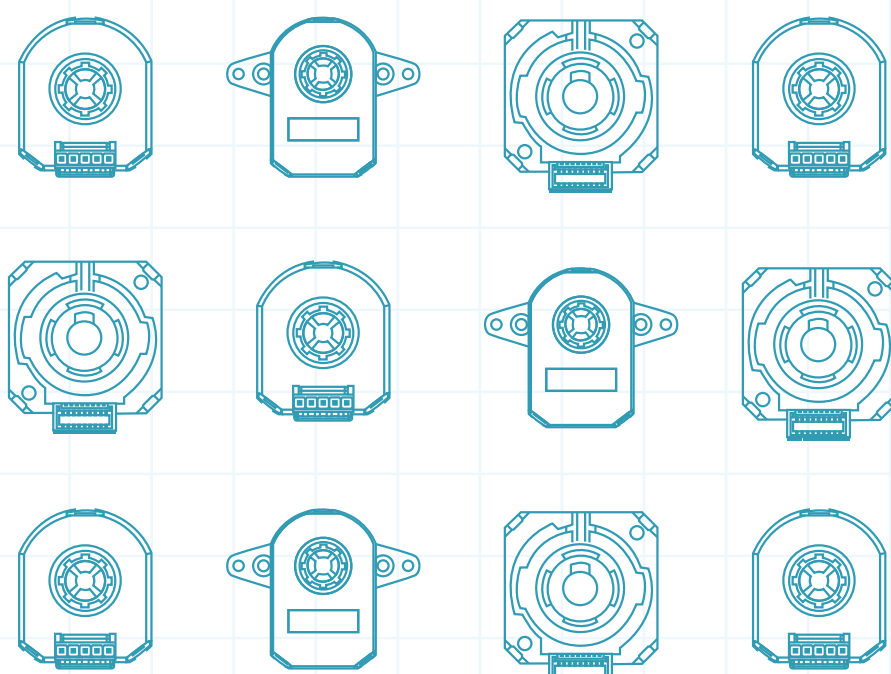
AMT ENCODERS SOLD!

Thanks for your support! To celebrate, here are some quick facts about our innovative AMT encoder line.



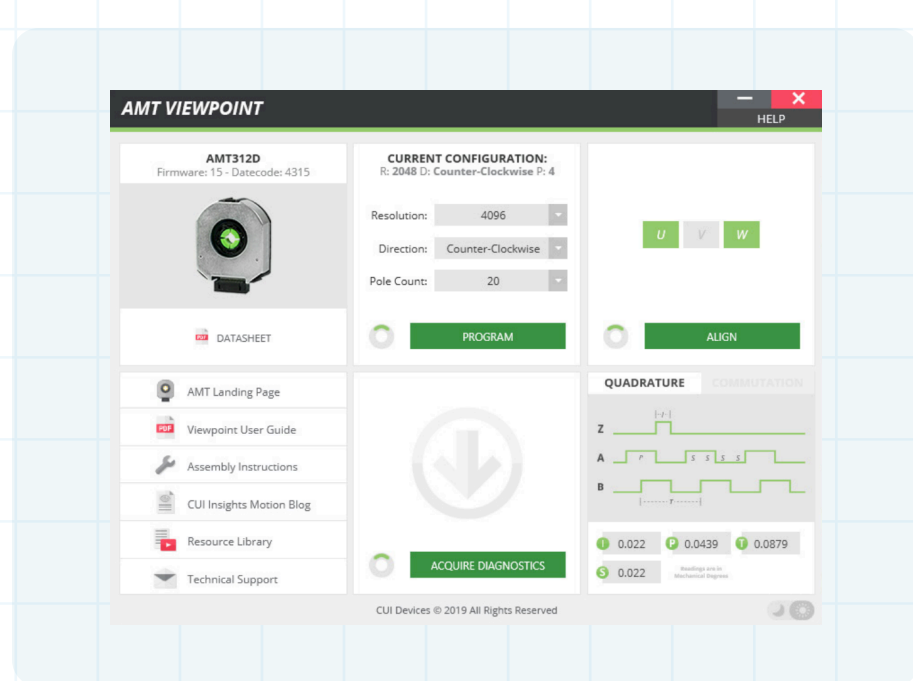
### 12 AMT Encoder Series Released and Counting

Incremental, absolute, and commutation versions with capacitive sensing technology deliver high durability without sacrificing accuracy.



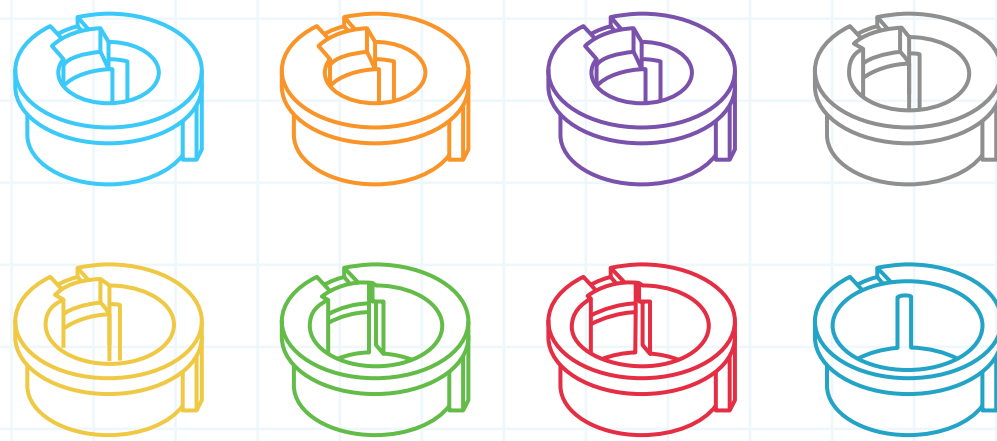
### Over 64,000 Unique Encoder Configurations

Our AMT encoders provide engineers with a flexible platform during design.



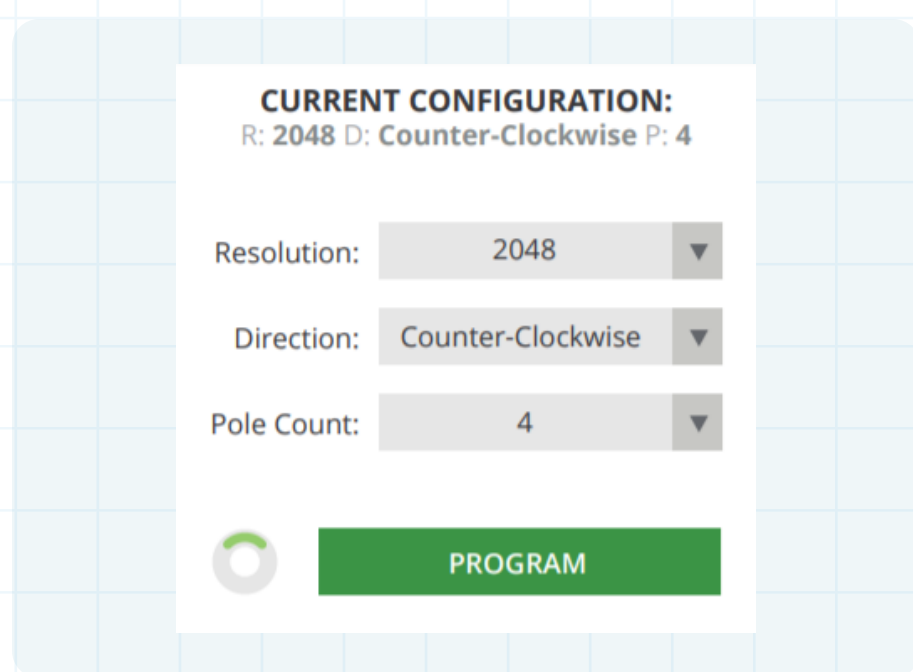
### Supporting Shaft Sizes from 1 mm to 15.875 mm

Our AMT encoders fit a wide range of motors.



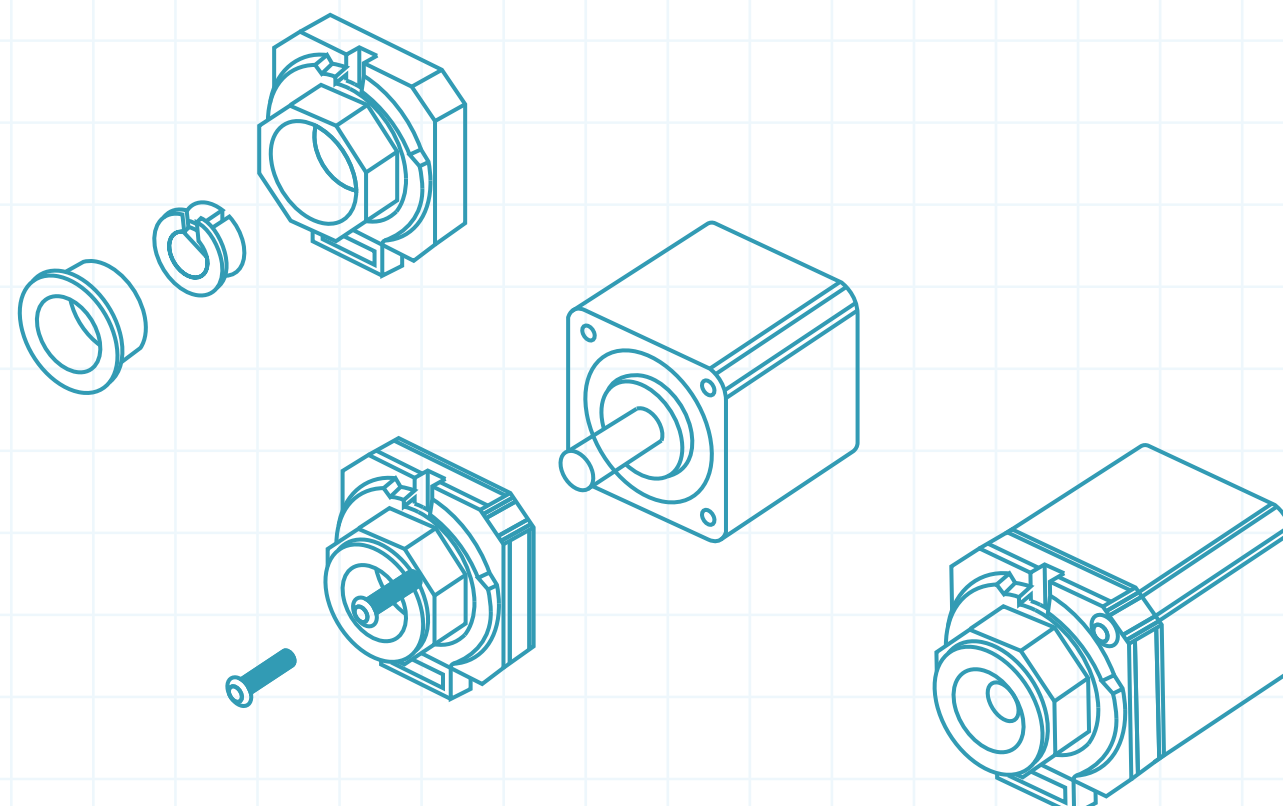
### Up to 22 Programmable Resolutions per Encoder

Unlike optical and mechanical encoders with one resolution, one AMT encoder can be set to any resolution it supports.



### Reducing Time-Consuming Tasks to Mere Seconds

The AMT encoder design simplifies the assembly process of mounting and alignment.



## Designed for a Variety of Applications



Robotics



Industrial Automation



Printing



Medical Devices



Drones