

## Product Change Notice (PCN)

Date: 11/5/2021

PCN Number: PCN-0374215R-01

### To Our Customers:

We appreciate your use of CUI Devices products. Our commitment in maintaining and improving processes is demonstrated by plans to enhance our product quality, reliability, and manufacturability. The purpose of this notice is to inform you of a product change.

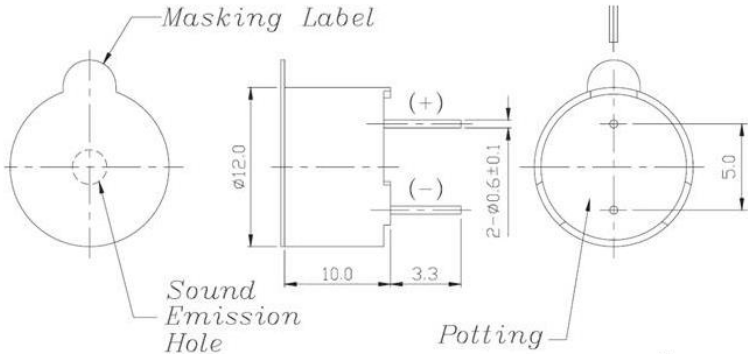
### Product(s) Affected: CEM-14R06CT

Reason(s) for Change:  
Due to PCB Shortages and excessive lead times. CUI Devices will be changing the PCB and will only affect the pin Pitch from 5mm to 6.5mm

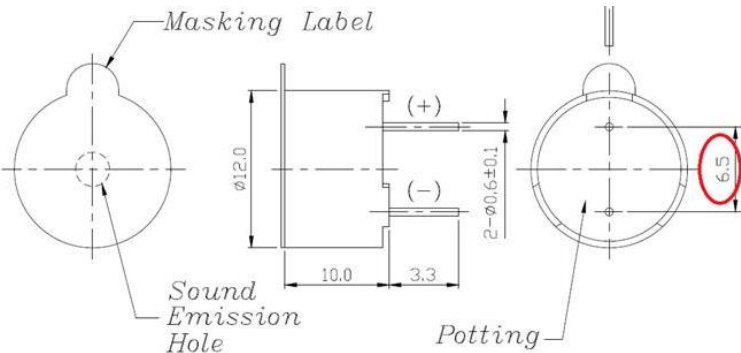
### Description of Change:

- Pin Pitch from 5mm to 6.5mm

#### OLD



#### NEW



# CUI DEVICES

**Affected Date Code:**  
**10/20/2021**

**Product Availability: 10/27/2021**

**Additional Information:**

PCN Approval:

Operations/Quality

---

Product Marketing

*Nick Wolfe*

---

10/27/2021