

## Product Change Notice (PCN)

**Date:** 10/23/2020

**PCN Number:** PCN-0381152R-01

### To Our Customers:

We appreciate your use of CUI Devices products. Our commitment in maintaining and improving processes is demonstrated by plans to enhance our product quality, reliability and manufacturability. The purpose of this notice is to inform you of a product change.

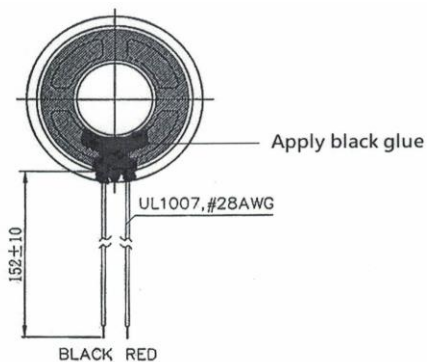
### Product(s) Affected:

**CLS0361-L152**

### Reason(s) for Change:

**Glue addition to entire terminal will ensure protection of the wire and solder pad termination point, enhancing product quality**

### Description of Change:



### Affected Date Code:

**All future orders from 10/23/2020**

### Product Availability:

**Immediate**

### Additional Information:

# CUI DEVICES

PCN Approval:

Operations/Quality

*Rae Adams*

---

Product Marketing

**Nick Wolfe** *N Wolfe*

---

10/22/2020