

Product Change Notice (PCN)

Date: 11/03/2023

PCN Number: PCN-0384712R-01

To Our Customers:

We appreciate your use of our products. Our commitment in maintaining and improving processes is demonstrated by plans to enhance our product quality, reliability, and manufacturability. The purpose of this notice is to inform you of a product change.

Product(s) Affected: CMS-25145-28SP-67

Reason(s) for Change: *Original tooling was broken, shifting to alternate tooling.*

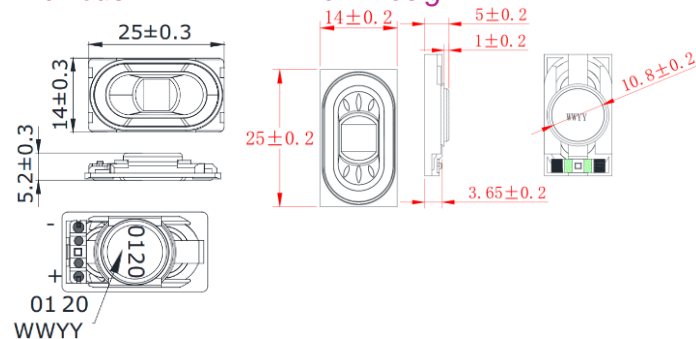
Description of Change: *Height reduced to 5mm, Power Rating shifted to 1W / 1.5W Max, Resonant Frequency reduced to 650Hz, SPL increased, Distortion now 10%, Operating Temperature altered to -25 ~ 70°C.*

Affected Date Code: 3623

Product Availability: *Direct orders placed after September 2023.*

Additional Information:

Previous

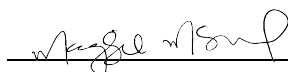


PCN Approval:

Operations/Quality



Product Management



F-723-001

Revision: A