



Product Change Notice (PCN)

Date: **07/19/2023**

PCN Number: **PCN-045-1166R-01**

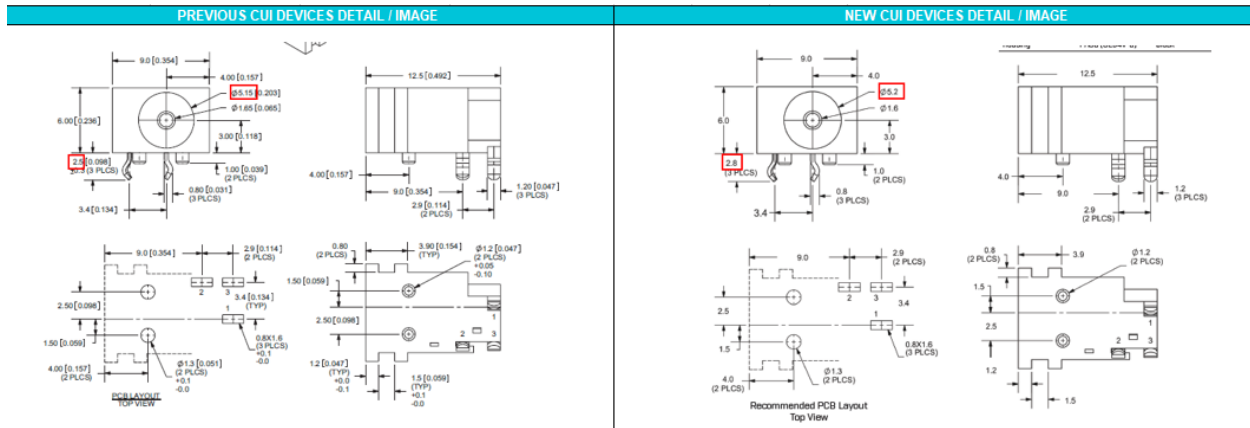
To Our Customers:

We appreciate your use of our products. Our commitment in maintaining and improving processes is demonstrated by plans to enhance our product quality, reliability, and manufacturability. The purpose of this notice is to inform you of a product change.

Product(s) Affected: **PJ-042**

Reason(s) for Change: **Manufacturing Improvement process. Tooling Upgrade**

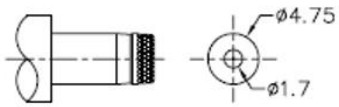
Description of Change: **Minor Structural and material Difference. See image Below**



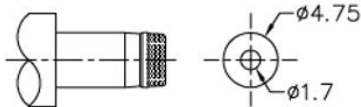
F-723-001

Revision: A

| PREVIOUS CUI DEVICES DETAIL / IMAGE | | | NEW CUI DEVICES DETAIL / IMAGE | | |
|-------------------------------------|--------------|---------|--------------------------------|--------------------------|-------|
| | MATERIAL | PLATING | | | |
| center pin | brass | tin | center pin | brass | tin |
| terminal 1 | brass | tin | terminal 1 | brass | tin |
| terminal 2 | copper alloy | tin | terminal 2 | phosphor bronze t=0.3 | tin |
| terminal 3 | brass | tin | terminal 3 | brass t=0.3 | tin |
| plastic | PA66 | | housing | PA66 (UL94V-0) | black |



MATING PLUG
Jack Insertion Depth: 8.00 mm



MATING PLUG
Jack Insertion Depth: 7.8 mm

Affected Date Code: **07/10/2023**

Product Availability: *Pertaining to market availability*

PCN Approval:

Operations/Quality



Product Management

