

Product Change Notice (PCN)

Date: 11/16/2022

PCN Number: PCN-0450001R-01

To Our Customers:

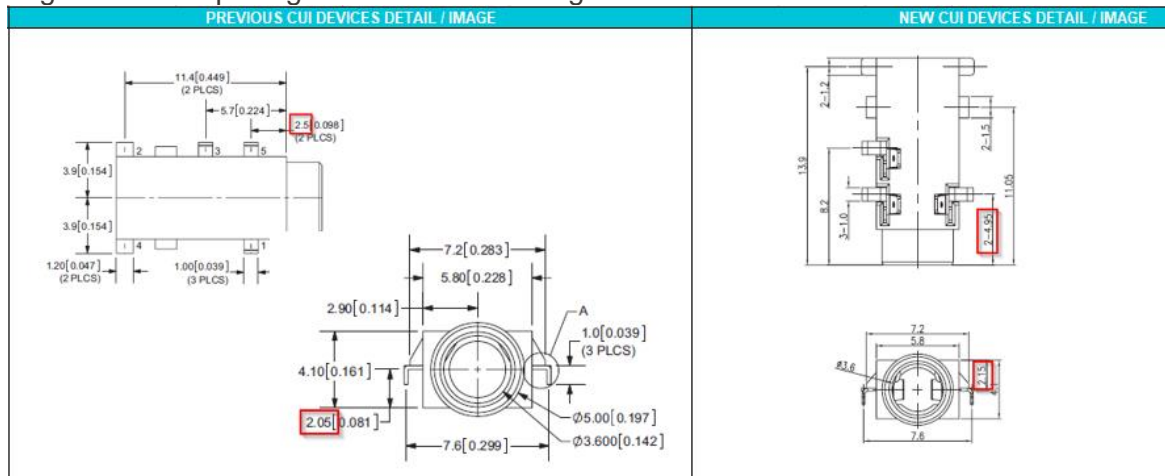
We appreciate your use of our products. Our commitment in maintaining and improving processes is demonstrated by plans to enhance our product quality, reliability, and manufacturability. The purpose of this notice is to inform you of a product change.

Product(s) Affected:
SJ-3501-SMT-TR

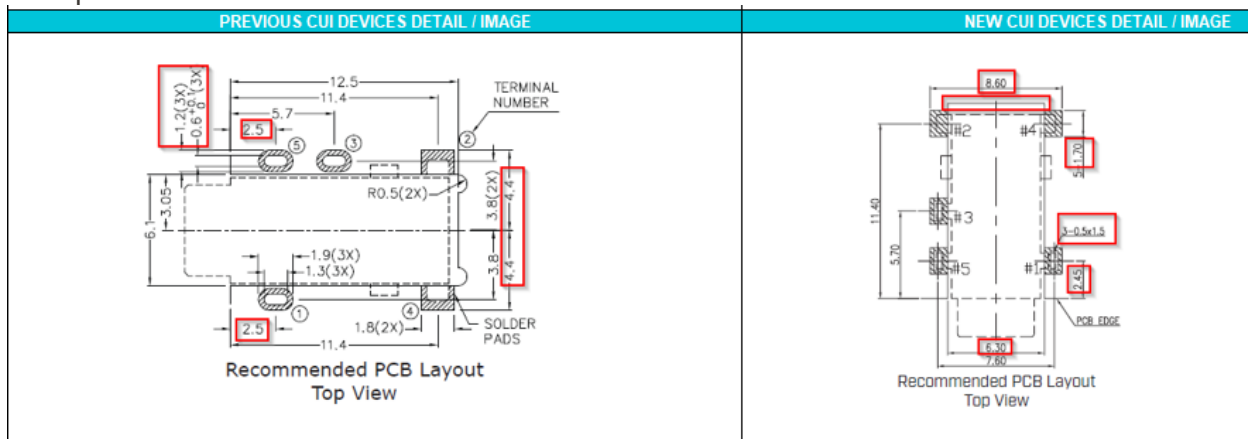
Reason(s) for Change: *Manufacturing process improvements*

Description of Change:

1. Slight terminal spacing difference 0.1mm higher



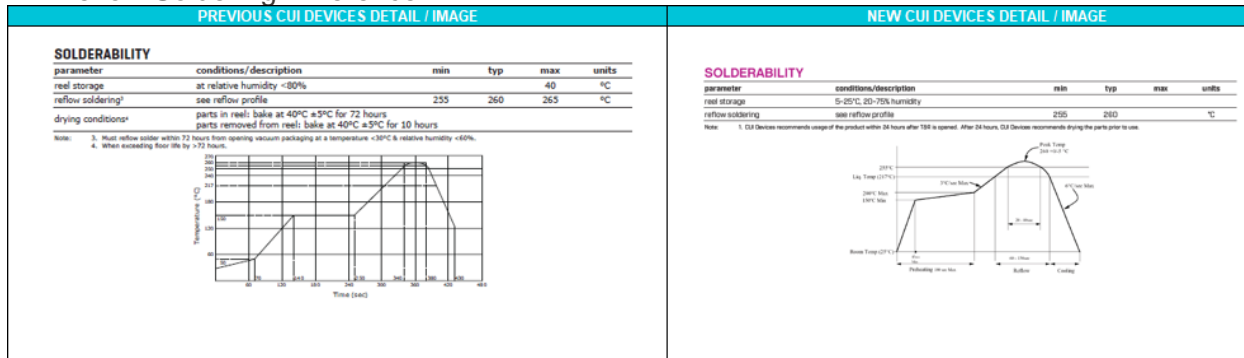
2. PCB pad/hole size differs



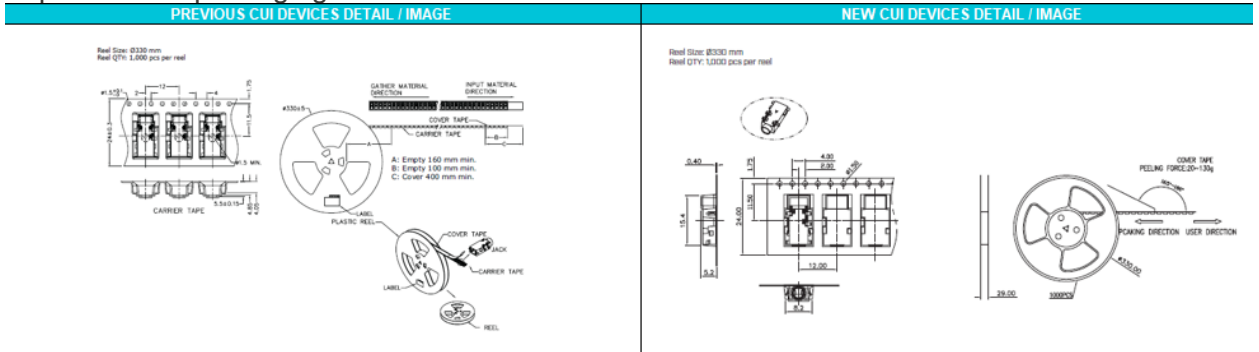
3. Housing material differs

PREVIOUS CUI DEVICES DETAIL / IMAGE	NEW CUI DEVICES DETAIL / IMAGE																																										
<table border="1"> <thead> <tr> <th></th> <th>MATERIAL</th> <th>PLATING</th> </tr> </thead> <tbody> <tr> <td>terminal 1</td> <td>copper alloy</td> <td>gold flash</td> </tr> <tr> <td>terminal 2</td> <td>copper alloy</td> <td>gold flash</td> </tr> <tr> <td>terminal 3</td> <td>copper alloy</td> <td>gold flash</td> </tr> <tr> <td>terminal 4</td> <td>copper alloy</td> <td>gold flash</td> </tr> <tr> <td>terminal 5</td> <td>copper alloy</td> <td>gold flash</td> </tr> <tr> <td>plastic</td> <td>PA6T or equivalent</td> <td></td> </tr> </tbody> </table>		MATERIAL	PLATING	terminal 1	copper alloy	gold flash	terminal 2	copper alloy	gold flash	terminal 3	copper alloy	gold flash	terminal 4	copper alloy	gold flash	terminal 5	copper alloy	gold flash	plastic	PA6T or equivalent		<table border="1"> <thead> <tr> <th>DESCRIPTION</th> <th>MATERIAL</th> <th>PLATING/COLOR</th> </tr> </thead> <tbody> <tr> <td>terminal 1</td> <td>copper alloy t=0.20</td> <td>gold flash over nickel</td> </tr> <tr> <td>terminal 2</td> <td>copper alloy t=0.20</td> <td>gold flash over nickel</td> </tr> <tr> <td>terminal 3</td> <td>copper alloy t=0.20</td> <td>gold flash over nickel</td> </tr> <tr> <td>terminal 4</td> <td>copper alloy t=0.20</td> <td>gold flash over nickel</td> </tr> <tr> <td>terminal 5</td> <td>copper alloy t=0.20</td> <td>gold flash over nickel</td> </tr> <tr> <td>housing</td> <td>PA6T (UL94V-0)</td> <td>black</td> </tr> </tbody> </table>	DESCRIPTION	MATERIAL	PLATING/COLOR	terminal 1	copper alloy t=0.20	gold flash over nickel	terminal 2	copper alloy t=0.20	gold flash over nickel	terminal 3	copper alloy t=0.20	gold flash over nickel	terminal 4	copper alloy t=0.20	gold flash over nickel	terminal 5	copper alloy t=0.20	gold flash over nickel	housing	PA6T (UL94V-0)	black
	MATERIAL	PLATING																																									
terminal 1	copper alloy	gold flash																																									
terminal 2	copper alloy	gold flash																																									
terminal 3	copper alloy	gold flash																																									
terminal 4	copper alloy	gold flash																																									
terminal 5	copper alloy	gold flash																																									
plastic	PA6T or equivalent																																										
DESCRIPTION	MATERIAL	PLATING/COLOR																																									
terminal 1	copper alloy t=0.20	gold flash over nickel																																									
terminal 2	copper alloy t=0.20	gold flash over nickel																																									
terminal 3	copper alloy t=0.20	gold flash over nickel																																									
terminal 4	copper alloy t=0.20	gold flash over nickel																																									
terminal 5	copper alloy t=0.20	gold flash over nickel																																									
housing	PA6T (UL94V-0)	black																																									

4. Reflow Soldering Difference



5. Tape and reel packaging differs



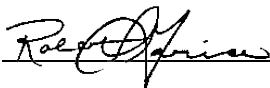
Affected Date Code: *11/15/2022*

Product Availability: *Channel availability mid Q4*

Additional Information:

PCN Approval:

Operations/Quality



Product Management



11/16/2022