

Product Change Notice (PCN)

Date: 12/19/2016

PCN Number: PCN-0450214R

To Our Customers:

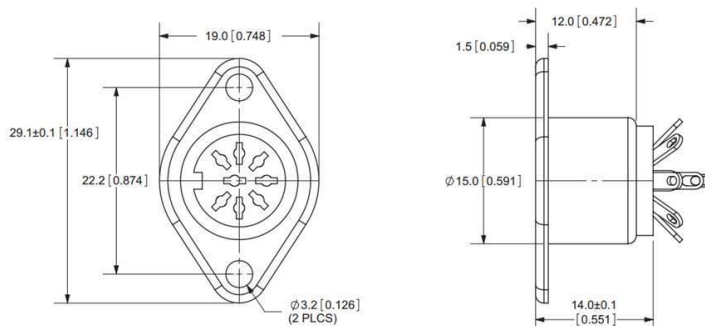
We appreciate your use of our products. Our commitment in maintaining and improving processes is demonstrated by plans to enhance our product quality, reliability, and manufacturability. The purpose of this notice is to inform you of a product change.

Product(s) Affected: *SD-SN series*

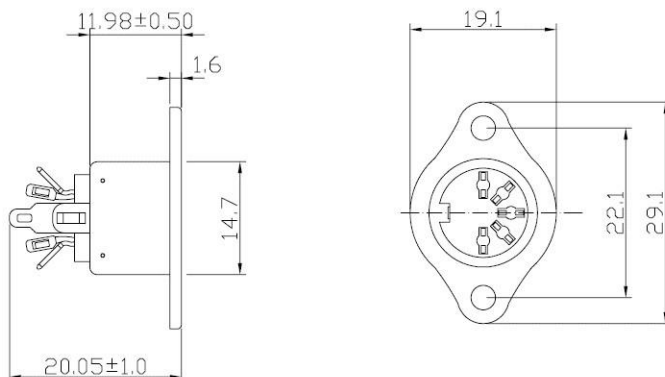
Reason(s) for Change: *New tooling for the SD-SN series*

Description of Change: *Mechanical dimension changes to connector housing:*

Old Housing Dimensions



New Housing Dimensions



F-723-001

Revision: A



Affected Date Code: *December 5th, 2016*

Product Availability: *Currently available*

Additional Information: *No change to product functionality.*

PCN Approval:

Operations/Quality

A handwritten signature in black ink, appearing to read "Nigel H. Bostrom", written over a horizontal line.

Product Management

A handwritten signature in black ink, appearing to read "RU", written over a horizontal line.