

## Product Change Notice (PCN)

**Date:** 11/22/2019

**PCN Number:** PCN-0450594R-01

### To Our Customers:

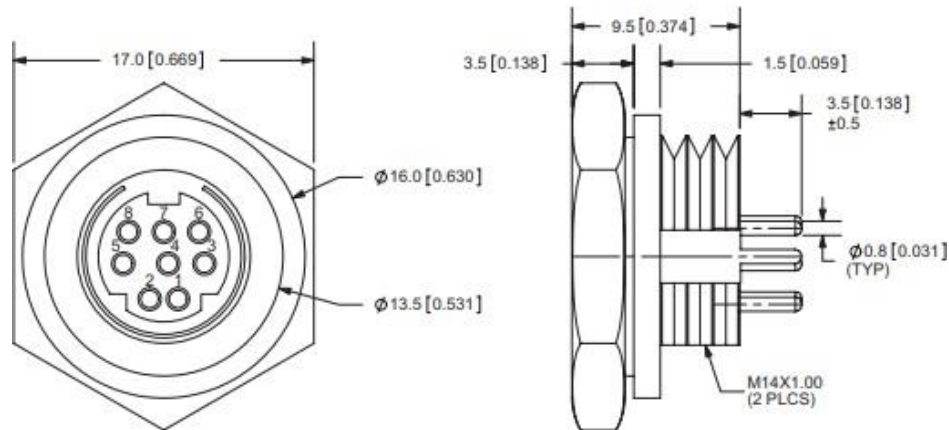
We appreciate your use of CUI Devices products. Our commitment in maintaining and improving processes is demonstrated by plans to enhance our product quality, reliability and manufacturability. The purpose of this notice is to inform you of a product change.

**Product(s) Affected:** MD-CV series (part numbers MD-40CV, MD-60CV, MD-80CV).

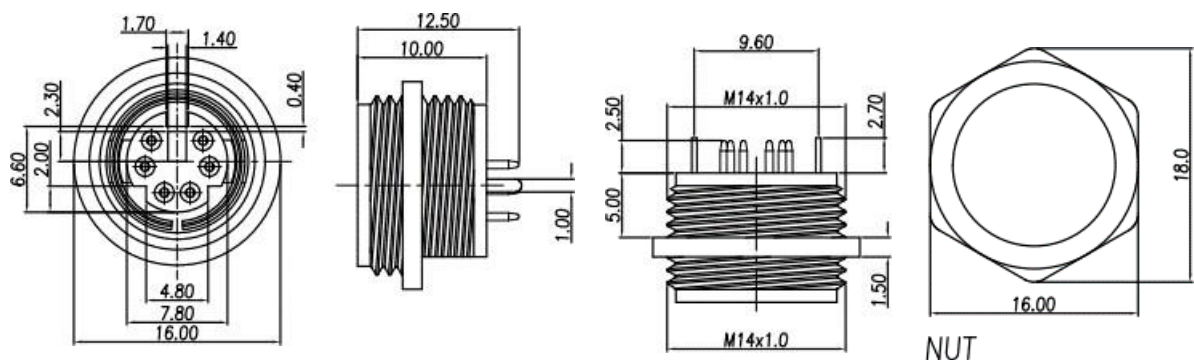
**Reason(s) for Change:** Manufacturing build location change.

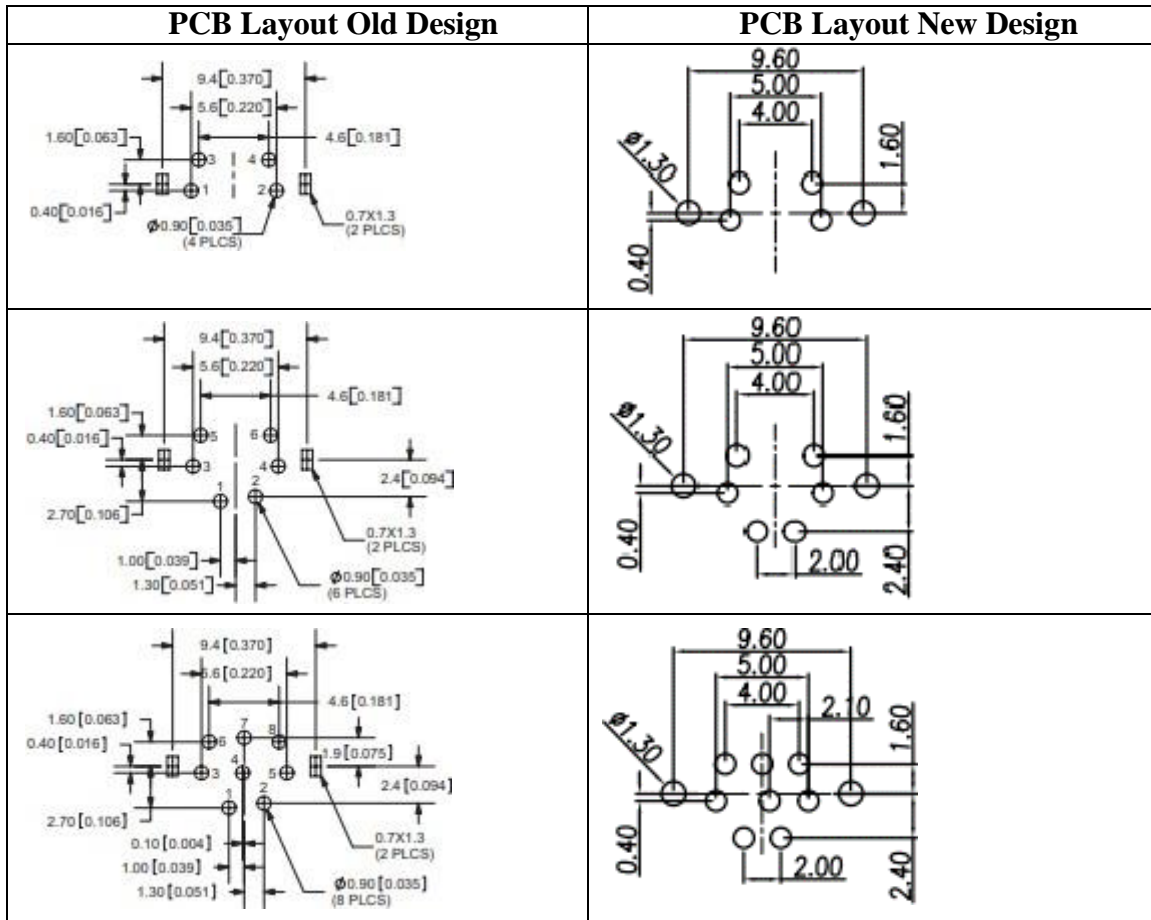
**Description of Change:** minor dimensional changes, such as pin length, and materials changes as shown below. Nut change from metal to plastic.

### Old Design



### New Design





### Old design materials

	MATERIAL	PLATING
earth terminal	brass	tin
terminal contacts (1~8)	phosphor bronze	silver
housing	PBT	

### New design materials

	MATERIAL	PLATING
earth terminal	brass	nickel
terminal contacts (1~8)	phosphor bronze	tin
housing	PBT (UL94V-0)	black

**Affected Date Code:** 11/15/19

**Product Availability:** currently available

# CUI DEVICES

20050 SW 112<sup>th</sup> Ave. Tualatin, Oregon 97062  
phone: 800.275.4899 fax: 503.612.2383  
www.cuidevices.com

**Additional Information:** none

PCN Approval:

Operations/Quality



Product Marketing

