

## Product Change Notice (PCN)

Date: **02/23/2023**

PCN Number: **PCN-0451050R-01**

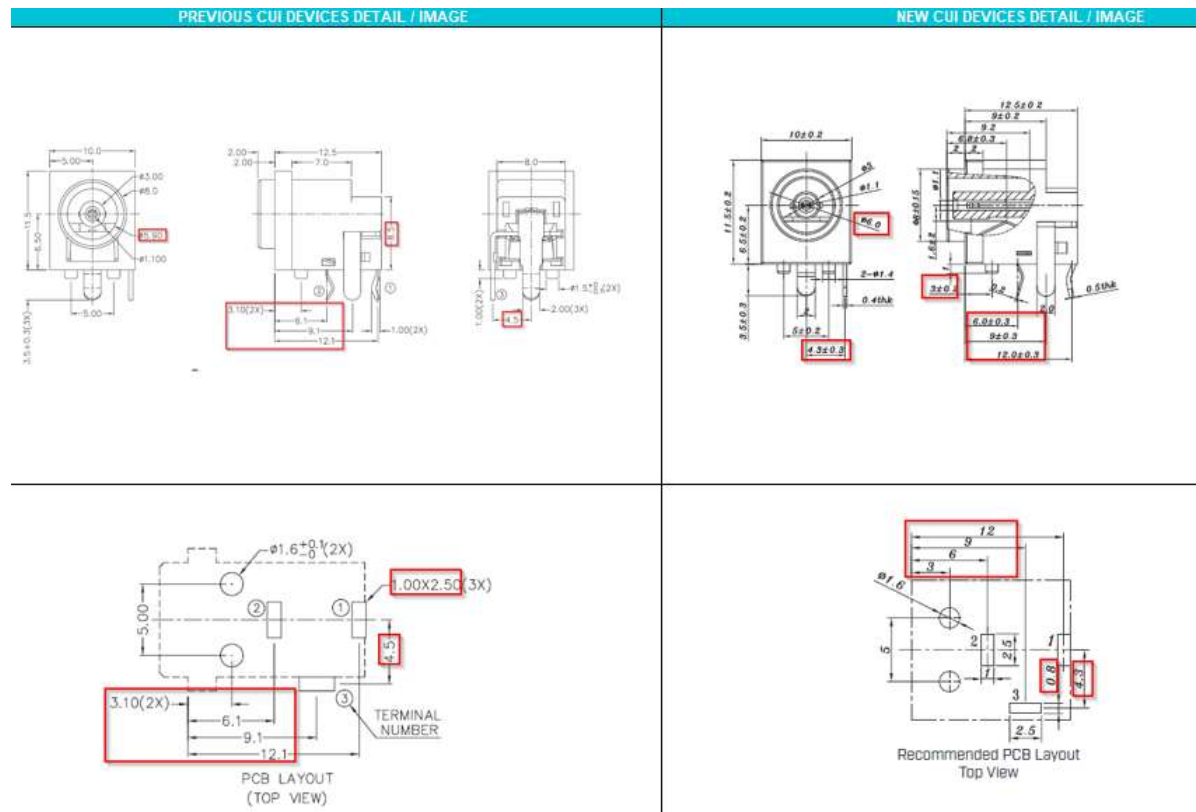
To Our Customers:

We appreciate your use of our products. Our commitment in maintaining and improving processes is demonstrated by plans to enhance our product quality, reliability, and manufacturability. The purpose of this notice is to inform you of a product change.

Product(s) Affected: **PJ-019**

Reason(s) for Change: **Manufacturing process improvements**

Description of Change: **Mechanical, electrical, and material changes as shown below:**

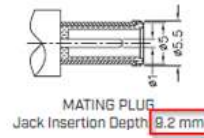
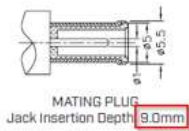


F-723-001

Revision: A

	MATERIAL	PLATING
center pin	brass	tin
terminal 1	brass	tin
terminal 2	copper alloy	tin
terminal 3	brass	tin
plastic	PBT	

DESCRIPTION	MATERIAL	PLATING/COLOR
terminal 1	phosphor bronze	silver
terminal 2	SUS	silver
terminal 3	brass	silver
housing	PBT (UL94V-0)	black



Affected Date Code: 02/24/2023

Product Availability: Channel Availability mid Q1

Additional Information:

PCN Approval:

Operations/Quality



Product Management

