

Product Change Notice (PCN)

Date: **03/24/2023**

PCN Number: **PCN-0451169R-01**

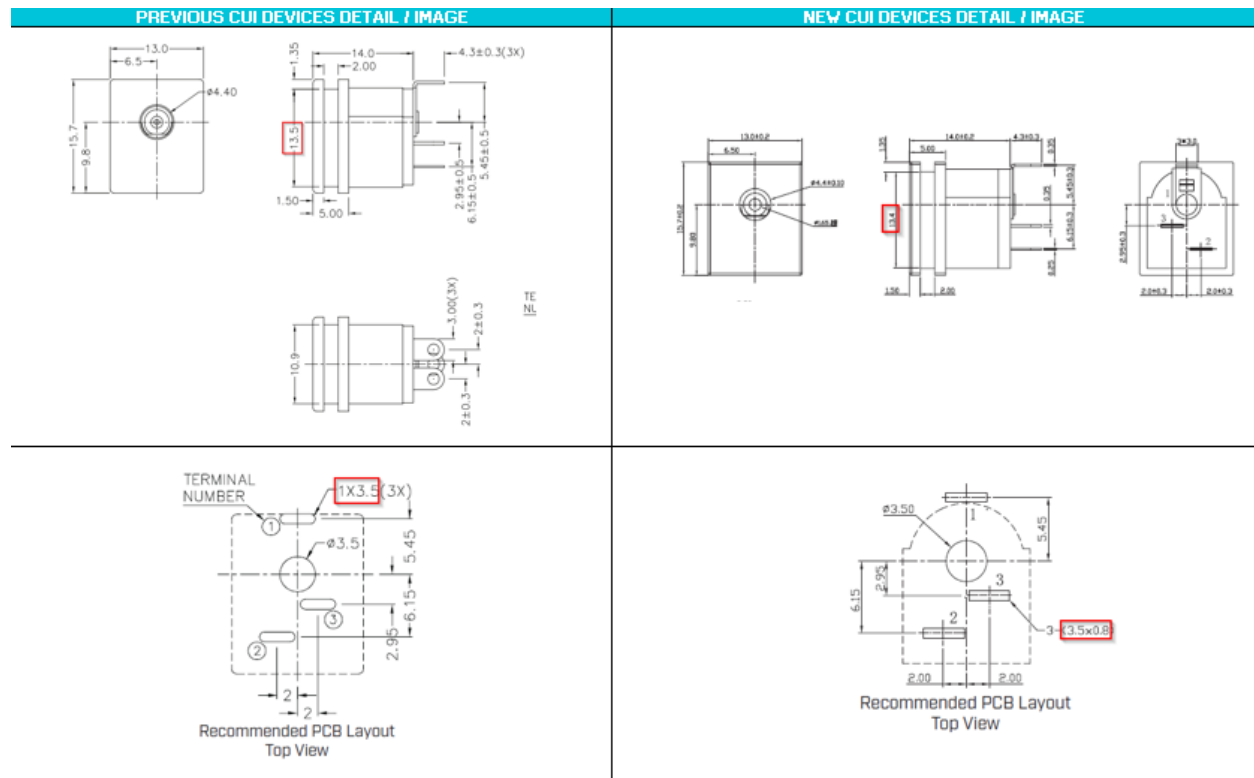
To Our Customers:

We appreciate your use of our products. Our commitment in maintaining and improving processes is demonstrated by plans to enhance our product quality, reliability, and manufacturability. The purpose of this notice is to inform you of a product change.

Product(s) Affected: *PJ-043H*

Reason(s) for Change: *Manufacturing process improvements*

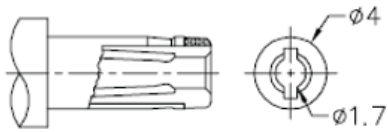
Description of Change: *Minor Housing and footprint differences. Material Change on the housing and terminals. See image Below*



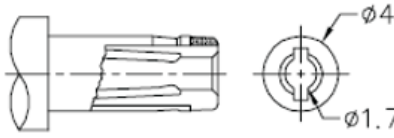
F-723-001

Revision: A

PREVIOUS CUI DEVICES DETAIL / IMAGE			NEW CUI DEVICES DETAIL / IMAGE		
	MATERIAL	PLATING		MATERIAL	PLATING/COLOR
center pin	copper	nickel	center pin	brass	nickel
terminal 1	brass	silver	terminal 1	brass t=0.35	silver
terminal 2	copper alloy	silver	terminal 2	bronze t=0.25	silver
terminal 3	brass	silver	terminal 3	brass t=0.35	silver



MATING PLUG
Jack Insertion Depth: 9.50 mm




MATING PLUG
Jack Insertion Depth: 9.0 mm

Affected Date Code: 03/06/2023

Product Availability: *Pertaining to market availability*

PCN Approval:

Operations/Quality



Product Management

