

Product Change Notice (PCN)

Date: **03/17/2023**

PCN Number: **PCN-0451180R-02**

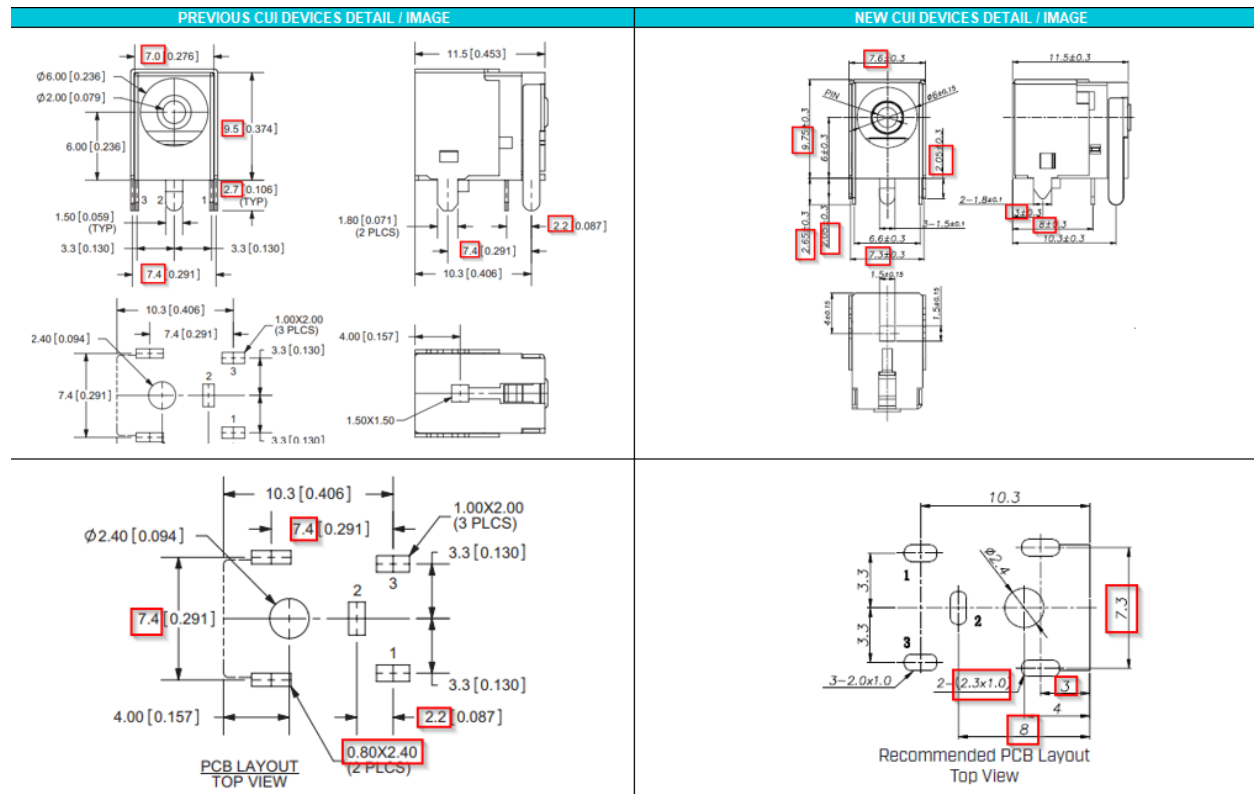
To Our Customers:

We appreciate your use of our products. Our commitment in maintaining and improving processes is demonstrated by plans to enhance our product quality, reliability, and manufacturability. The purpose of this notice is to inform you of a product change.

Product(s) Affected: **PJ-047AH**

Reason(s) for Change: **Manufacturing process improvements**

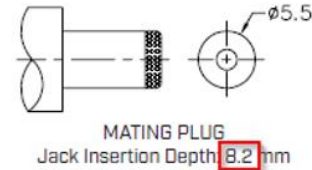
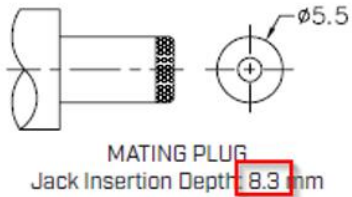
Description of Change: **Minor Housing and footprint differences. Material Change on the housing and terminals. See image Below**



F-723-001

Revision: A

PREVIOUS CUI DEVICES DETAIL / IMAGE			NEW CUI DEVICES DETAIL / IMAGE		
	MATERIAL	PLATING		DESCRIPTION	PLATING/COLOR
center pin	copper	nickel	center pin	brass	nickel
terminal 1	brass	silver	terminal 1	brass t=0.30	silver
terminal 2	copper alloy	silver	terminal 2	SUS301 t=0.30	silver
terminal 3	brass	silver	terminal 3	brass t=0.30	silver
shield	brass	nickel	shield	brass t=0.25	nickel
plastic	PBT		housing	PBT (UL94V-0)	black



PREVIOUS CUI DEVICES DETAIL / IMAGE					NEW CUI DEVICES DETAIL / IMAGE						
SPECIFICATIONS					SPECIFICATIONS						
parameter	conditions/description	min	typ	max	units	parameter	conditions/description	min	typ	max	units
rated input voltage			24		Vdc	rated input voltage			24		Vdc
rated input current			5.0		A	rated input current			5.0		A
contact resistance	between terminal and mating plug between terminal in a closed circuit		30		mΩ	contact resistance			30		mΩ
insulation resistance	at 500 Vdc	100			MΩ	insulation resistance	at 250 Vdc	100			MΩ
voltage withstand	at 50/60HZ for 1 minute		500		Vac	voltage withstand	for 1 minute		500		Vac
insertion/withdrawal force		0.3		3	kg	insertion/withdrawal force		0.3		3	kg
terminal strength	any direction for 10 seconds		500		g	operating temperature		-25		85	°C
operating temperature		-25		85	°C	life			5,000		cycles
life			5,000		cycles	flammability rating	UL94V-0				
flammability rating	UL94V-0					RoHS	yes				
RoHS	yes										

SOLDERABILITY					
parameter	conditions/description	min	typ	max	units
wave soldering	dipped in solder pot for 5 +0.5 seconds	255	280	285	°C

SOLDERABILITY					
parameter	conditions/description	min	typ	max	units
wave soldering	dipped in solder pot for 4-6 seconds		250		°C



Affected Date Code: *03/06/2023*

Product Availability: *Pertaining to market availability*

PCN Approval:

Operations/Quality

A handwritten signature in black ink, appearing to read "Robert Adams", written over a horizontal line.

Product Management

A handwritten signature in black ink, appearing to read "J. Adams", written over a horizontal line.