

Product Change Notice (PCN)

Date: **12/20/2022**

PCN Number: **PCN-0451184R-01**

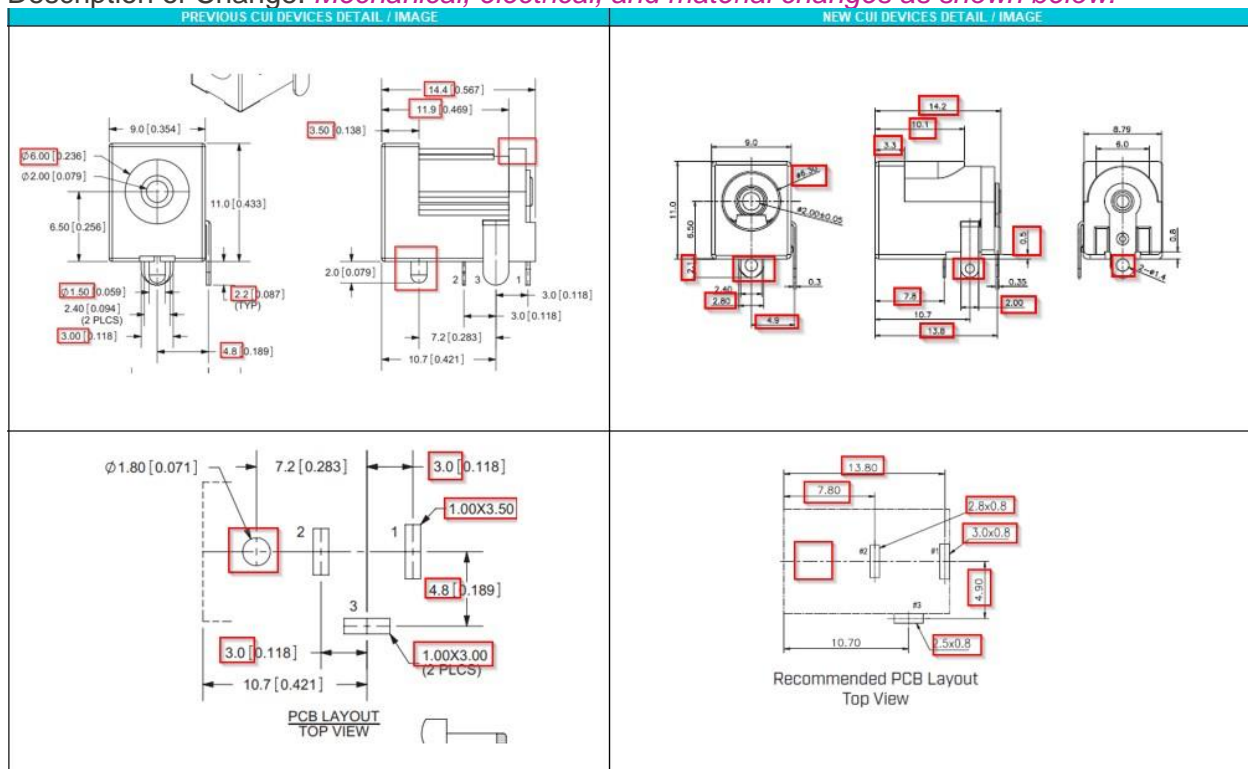
To Our Customers:

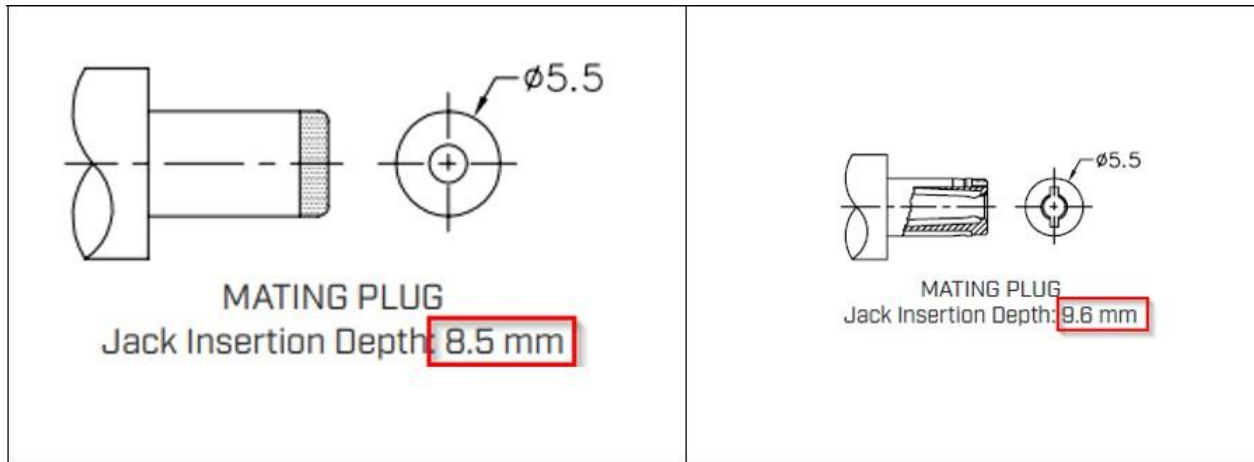
We appreciate your use of our products. Our commitment in maintaining and improving processes is demonstrated by plans to enhance our product quality, reliability, and manufacturability. The purpose of this notice is to inform you of a product change.

Product(s) Affected: PJ-050A

Reason(s) for Change: *Manufacturing process improvements*

Description of Change: *Mechanical, electrical, and material changes as shown below:*





	MATERIAL	PLATING
center pin	copper	nickel
terminal 1	brass	tin
terminal 2	copper alloy	tin
terminal 3	brass	tin
plastic	PBT	

DESCRIPTION	MATERIAL	PLATING/COLOR
center pin	copper alloy(H65)	nickel
terminal 1	C2680 t=0.35 mm	nickel-silver
terminal 2	C5210 t=0.25 mm	nickel-silver
terminal 3	C2680 t=0.30 mm	nickel-silver
housing	PA9T (UL94V-0)	black
cover	PA9T (UL94V-0)	black

Affected Date Code: 12/8/2022

Product Availability: Channel Availability mid Q4

Additional Information:

PCN Approval:

Operations/Quality



Product Management

