

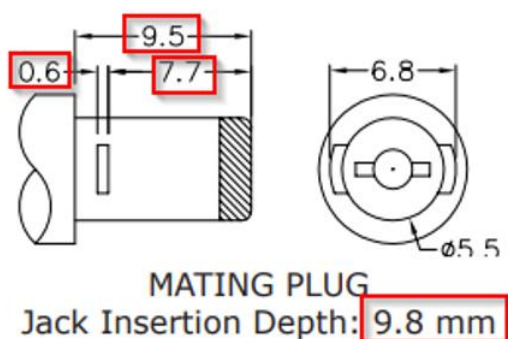


	MATERIAL	PLATING
center pin	copper	nickel
terminal 1	brass	tin
terminal 2	copper alloy	tin
terminal 3	brass	tin
plastic	PBT	

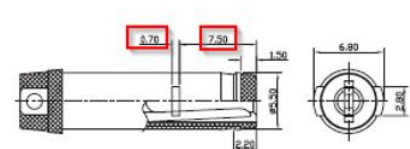
  

DESCRIPTION	MATERIAL	PLATING/COLOR
center pin	brass	nickel
terminal 1	brass t=0.30	tin
terminal 2	bronze t=0.25	tin
terminal 3	brass t=0.30	tin
cover	PBT (UL94V-0)	black
housing	PBT (UL94V-0)	black



**MATING PLUG**  
Jack Insertion Depth: **9.8 mm**



**MATING PLUG**  
Jack Insertion Depth: **9.5 mm**

Affected Date Code: **02/28/2023**

Product Availability: *Pertaining to market availability*

Additional Information:

PCN Approval:

Operations/Quality



Product Management



F-723-001

Revision: A