

Product Change Notice (PCN)

Date: **11/17/2022**

PCN Number: **PCN-0454819R-01**

To Our Customers:

We appreciate your use of our products. Our commitment in maintaining and improving processes is demonstrated by plans to enhance our product quality, reliability, and manufacturability. The purpose of this notice is to inform you of a product change.

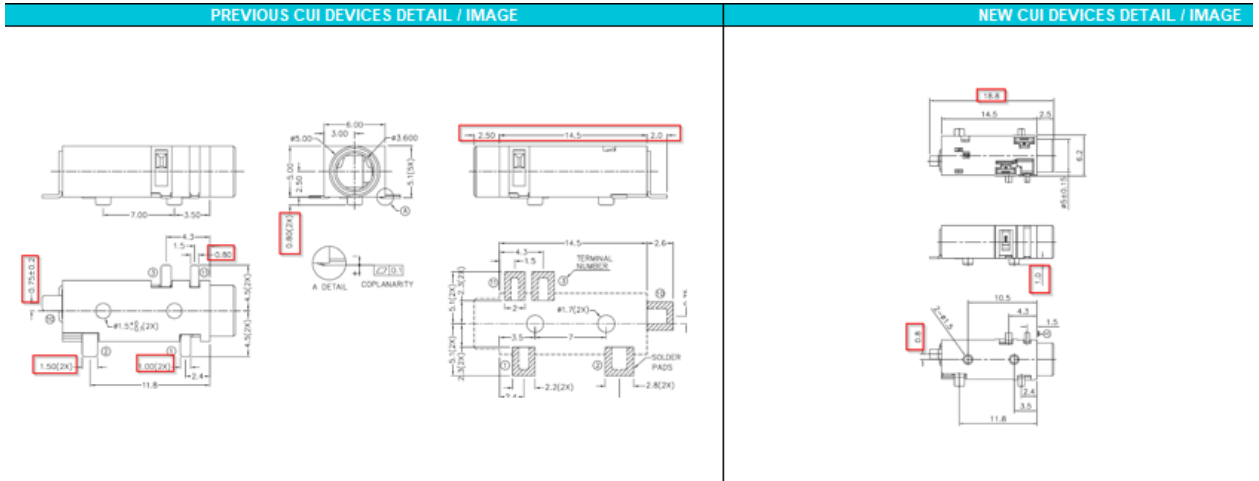
Product(s) Affected:

SJ2-3593B-SMT-TR & SJ2-3593D-SMT-TR

Reason(s) for Change: *Manufacturing process improvements*

Description of Change:

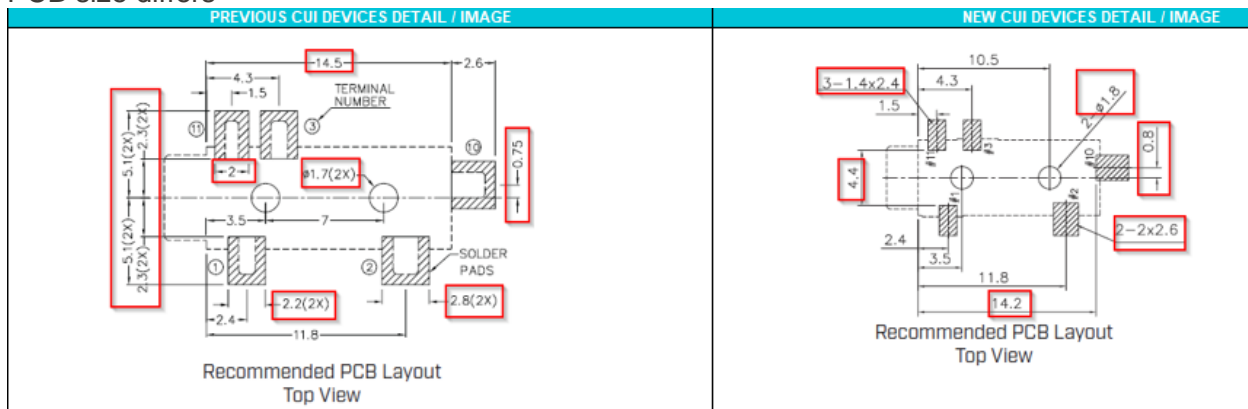
1. Minor terminal size differences



F-723-001

Revision: A

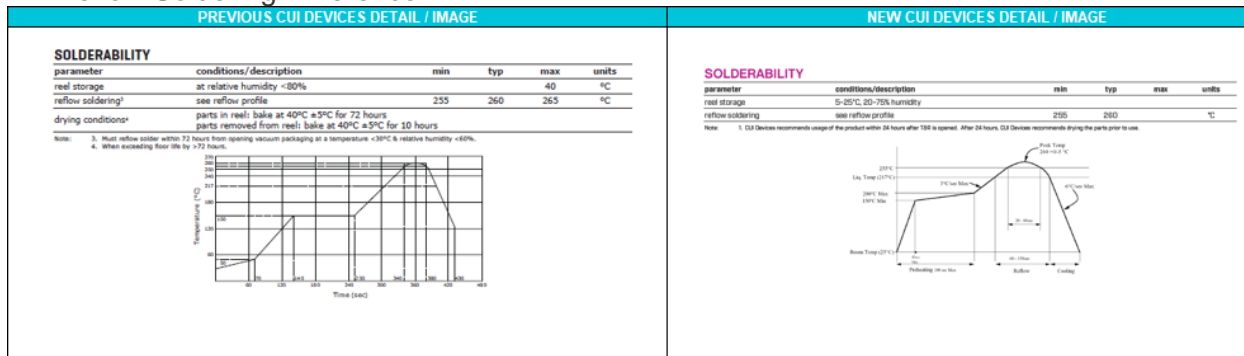
2. PCB size differs



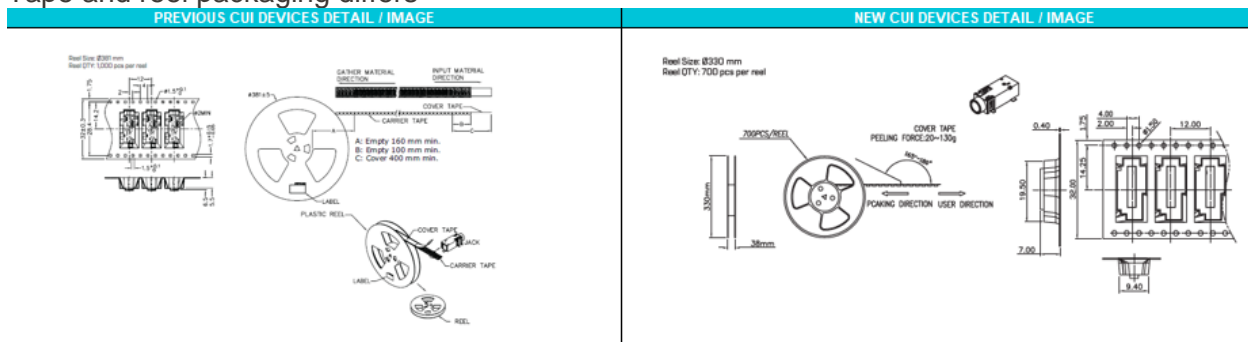
3. Housing material differs

PREVIOUS CUI DEVICES DETAIL / IMAGE	NEW CUI DEVICES DETAIL / IMAGE																																													
<table border="1"> <thead> <tr> <th></th> <th>MATERIAL</th> <th>PLATING</th> </tr> </thead> <tbody> <tr> <td>terminal 1</td> <td>copper alloy</td> <td>silver</td> </tr> <tr> <td>terminal 2</td> <td>copper alloy</td> <td>silver</td> </tr> <tr> <td>terminal 3</td> <td>copper alloy</td> <td>silver</td> </tr> <tr> <td>terminal 10</td> <td>brass</td> <td>silver</td> </tr> <tr> <td>terminal 11</td> <td>copper alloy</td> <td>silver</td> </tr> <tr> <td>plastic</td> <td>PA10T</td> <td></td> </tr> </tbody> </table>		MATERIAL	PLATING	terminal 1	copper alloy	silver	terminal 2	copper alloy	silver	terminal 3	copper alloy	silver	terminal 10	brass	silver	terminal 11	copper alloy	silver	plastic	PA10T		<table border="1"> <thead> <tr> <th>DESCRIPTION</th> <th>MATERIAL</th> <th>PLATING/COLOR</th> </tr> </thead> <tbody> <tr> <td>terminal 1</td> <td>copper alloy t=0.20</td> <td>silver over nickel</td> </tr> <tr> <td>terminal 2</td> <td>copper alloy t=0.20</td> <td>silver over nickel</td> </tr> <tr> <td>terminal 3</td> <td>copper alloy t=0.20</td> <td>silver over nickel</td> </tr> <tr> <td>terminal 4</td> <td>copper alloy t=0.20</td> <td>silver over nickel</td> </tr> <tr> <td>terminal 10</td> <td>copper alloy t=0.20</td> <td>silver over nickel</td> </tr> <tr> <td>terminal 11</td> <td>copper alloy t=0.20</td> <td>silver over nickel</td> </tr> <tr> <td>housing</td> <td>PA9T (UL94V-0)</td> <td>black</td> </tr> </tbody> </table>	DESCRIPTION	MATERIAL	PLATING/COLOR	terminal 1	copper alloy t=0.20	silver over nickel	terminal 2	copper alloy t=0.20	silver over nickel	terminal 3	copper alloy t=0.20	silver over nickel	terminal 4	copper alloy t=0.20	silver over nickel	terminal 10	copper alloy t=0.20	silver over nickel	terminal 11	copper alloy t=0.20	silver over nickel	housing	PA9T (UL94V-0)	black
	MATERIAL	PLATING																																												
terminal 1	copper alloy	silver																																												
terminal 2	copper alloy	silver																																												
terminal 3	copper alloy	silver																																												
terminal 10	brass	silver																																												
terminal 11	copper alloy	silver																																												
plastic	PA10T																																													
DESCRIPTION	MATERIAL	PLATING/COLOR																																												
terminal 1	copper alloy t=0.20	silver over nickel																																												
terminal 2	copper alloy t=0.20	silver over nickel																																												
terminal 3	copper alloy t=0.20	silver over nickel																																												
terminal 4	copper alloy t=0.20	silver over nickel																																												
terminal 10	copper alloy t=0.20	silver over nickel																																												
terminal 11	copper alloy t=0.20	silver over nickel																																												
housing	PA9T (UL94V-0)	black																																												

4. Reflow Soldering Difference



5. Tape and reel packaging differs



6. Removal of three types

Model No.	SJ2-3592B-SMT	SJ2-3593A-SMT	SJ2-3593B-SMT	SJ2-3593C-SMT	SJ2-3593D-SMT
Schematic					

Affected Date Code: *11/15/2022*

Product Availability: *Channel availability mid Q4*

Additional Information:

PCN Approval:

Operations/Quality



Product Management



Nick Wolfe

11/17/2022



F-723-001

Revision: A