

Product Change Notice (PCN)

Date: 12/28/2022

PCN Number: PCN-0454830R-01

To Our Customers:

We appreciate your use of our products. Our commitment in maintaining and improving processes is demonstrated by plans to enhance our product quality, reliability, and manufacturability. The purpose of this notice is to inform you of a product change.

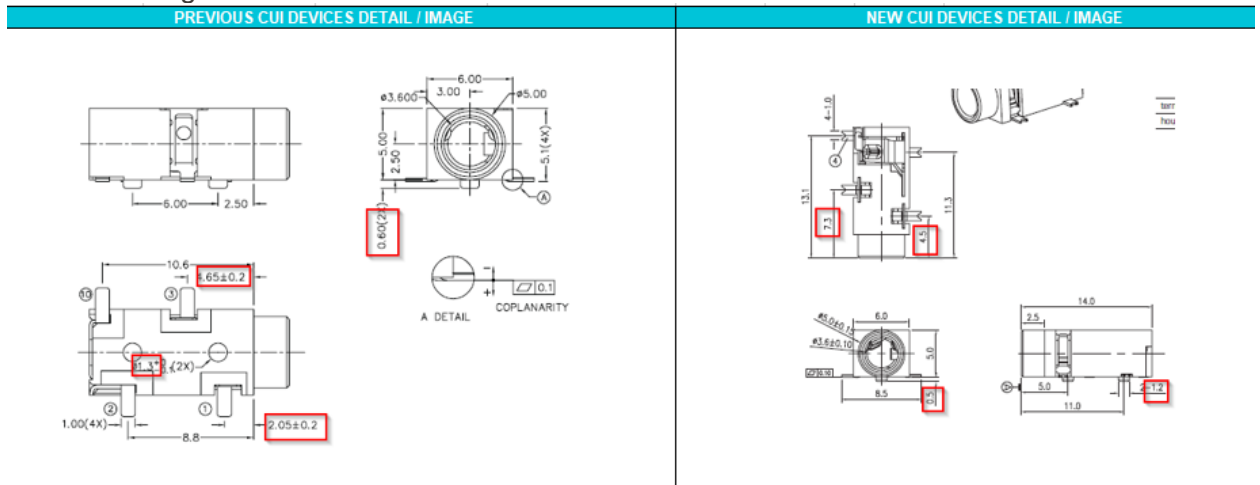
Product(s) Affected:

SJ2-35813A-SMT-TR, SJ2-35813B-SMT-TR

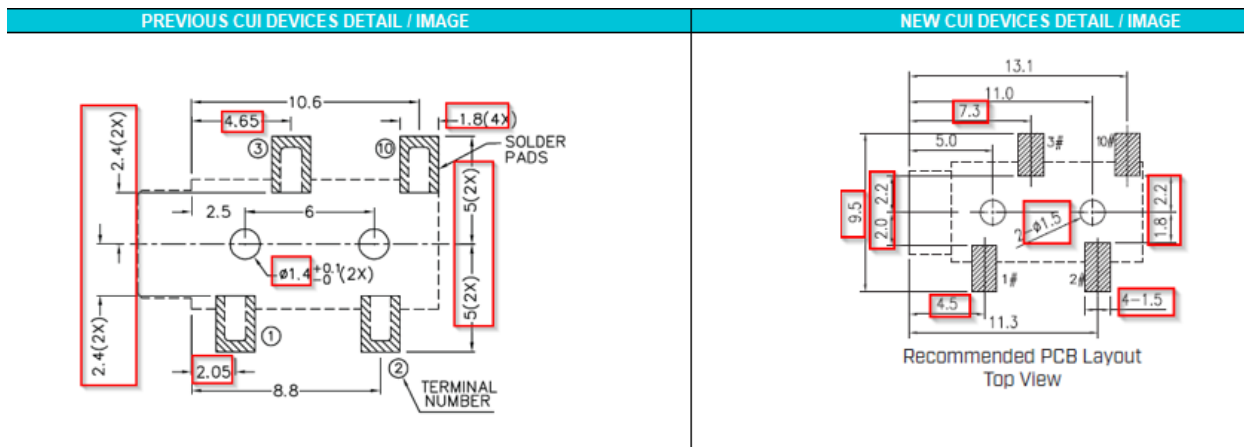
Reason(s) for Change: *Manufacturing process improvements*

Description of Change:

1. Minor Housing differences



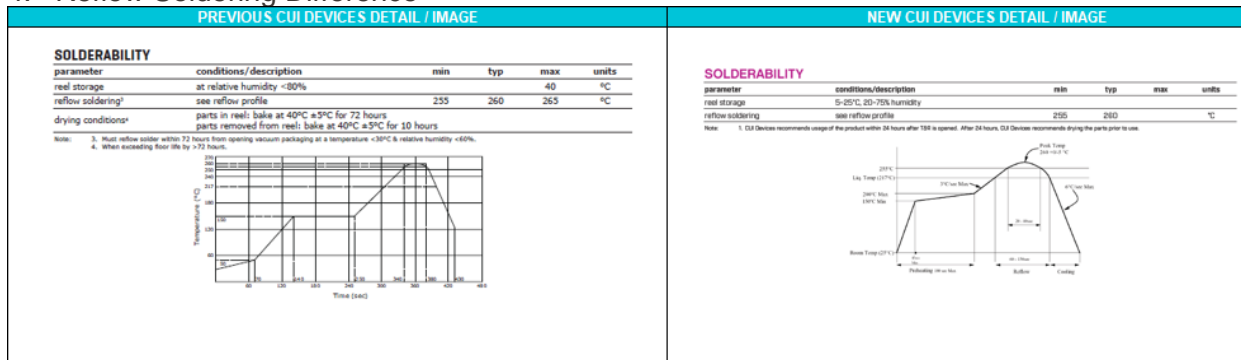
2. PCB Layout differs



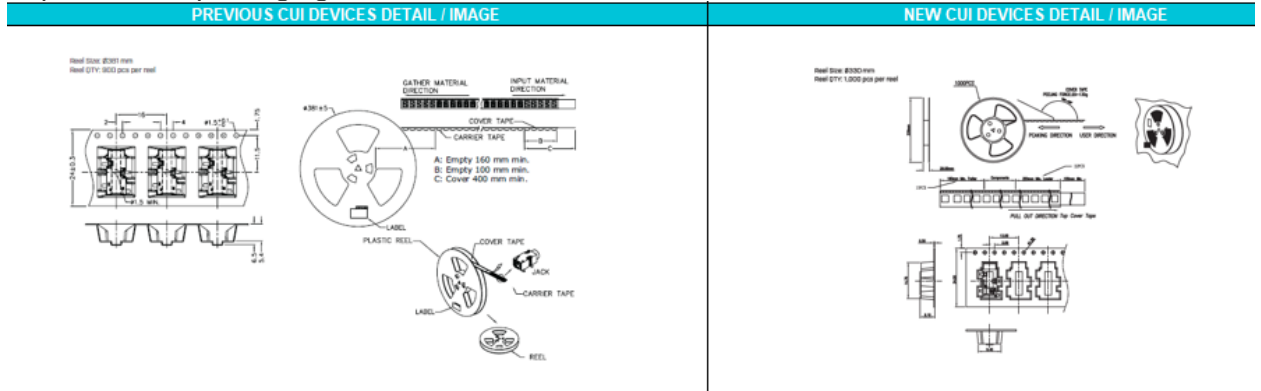
3. Housing material differs

PREVIOUS CUI DEVICES DETAIL / IMAGE	NEW CUI DEVICES DETAIL / IMAGE																																				
<table border="1" style="width:100%; border-collapse: collapse;"> <thead> <tr> <th style="width: 20%;"></th> <th style="width: 30%;">MATERIAL</th> <th style="width: 50%;">PLATING</th> </tr> </thead> <tbody> <tr> <td>terminal 1</td> <td>copper alloy</td> <td>silver</td> </tr> <tr> <td>terminal 2</td> <td>copper alloy</td> <td>silver</td> </tr> <tr> <td>terminal 3</td> <td>copper alloy</td> <td>silver</td> </tr> <tr> <td>terminal 10</td> <td>copper alloy</td> <td>silver</td> </tr> <tr> <td>plastic</td> <td>PA10T</td> <td></td> </tr> </tbody> </table>		MATERIAL	PLATING	terminal 1	copper alloy	silver	terminal 2	copper alloy	silver	terminal 3	copper alloy	silver	terminal 10	copper alloy	silver	plastic	PA10T		<table border="1" style="width:100%; border-collapse: collapse;"> <thead> <tr> <th style="width: 20%;">DESCRIPTION</th> <th style="width: 30%;">MATERIAL</th> <th style="width: 50%;">PLATING/COLOR</th> </tr> </thead> <tbody> <tr> <td>terminal 1</td> <td>phosphor bronze t=0.20</td> <td>silver over nickel</td> </tr> <tr> <td>terminal 2</td> <td>phosphor bronze t=0.25</td> <td>silver over nickel</td> </tr> <tr> <td>terminal 3</td> <td>phosphor bronze t=0.20</td> <td>silver over nickel</td> </tr> <tr> <td>terminal 10</td> <td>brass t=0.25</td> <td>silver over nickel</td> </tr> <tr> <td>housing</td> <td>PA9T (UL94V-0)</td> <td>black</td> </tr> </tbody> </table>	DESCRIPTION	MATERIAL	PLATING/COLOR	terminal 1	phosphor bronze t=0.20	silver over nickel	terminal 2	phosphor bronze t=0.25	silver over nickel	terminal 3	phosphor bronze t=0.20	silver over nickel	terminal 10	brass t=0.25	silver over nickel	housing	PA9T (UL94V-0)	black
	MATERIAL	PLATING																																			
terminal 1	copper alloy	silver																																			
terminal 2	copper alloy	silver																																			
terminal 3	copper alloy	silver																																			
terminal 10	copper alloy	silver																																			
plastic	PA10T																																				
DESCRIPTION	MATERIAL	PLATING/COLOR																																			
terminal 1	phosphor bronze t=0.20	silver over nickel																																			
terminal 2	phosphor bronze t=0.25	silver over nickel																																			
terminal 3	phosphor bronze t=0.20	silver over nickel																																			
terminal 10	brass t=0.25	silver over nickel																																			
housing	PA9T (UL94V-0)	black																																			

4. Reflow Soldering Difference



5. Tape and reel packaging differs



Affected Date Code: **11/15/2022**

Product Availability: **Channel availability mid Q4**

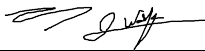
Additional Information:

PCN Approval:

Operations/Quality



Product Management



Nick Wolfe 11/22/2022