

Product Change Notice (PCN)

Date: 02/04/2022

PCN Number: PCN-0539051R-01

To Our Customers:

We appreciate your use of our products. Our commitment in maintaining and improving processes is demonstrated by plans to enhance our product quality, reliability, and manufacturability. The purpose of this notice is to inform you of a product change.

Product(s) Affected: Part # CBLT-UC-UC-1

Reason(s) for Change: New manufacturing location: Vietnam. (Manufacturing Tooling Upgrade)

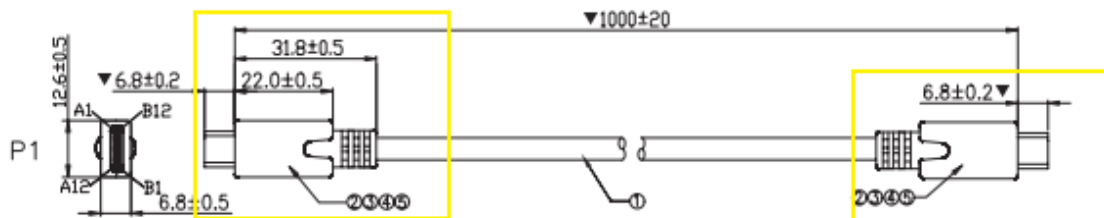
Description of Change: Cosmetic change only. New outer-casing mold. Shape and dimensional changes to the casing. Connector spec and type remains the same.

Affected Date Code: 02/01/2022

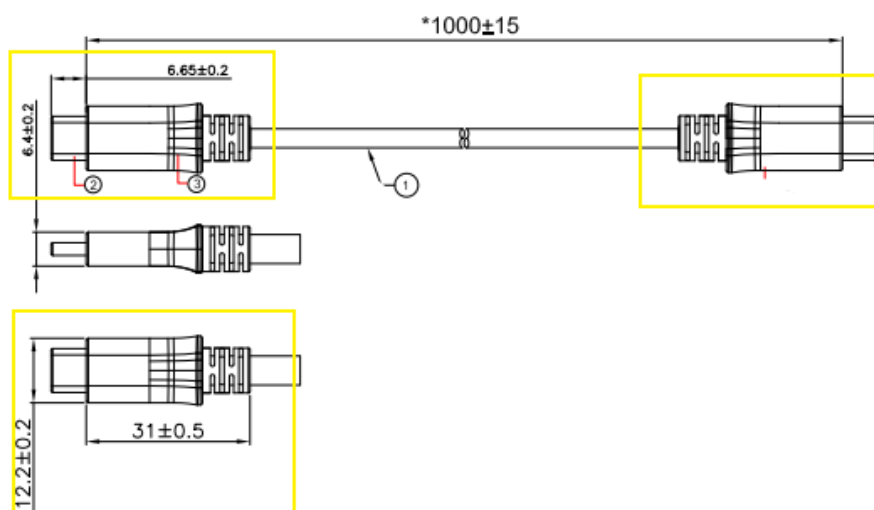
Product Availability: New specification will be delivered after February 1st, 2022.
Additional Information: See picture below for visual changes

CUI DEVICES

6405 SW Rosewood St, Ste C
Lake Oswego, OR 97035



OLD



NEW

PCN Approval:

Operations/Quality

Product Management