

**MODEL:** CDSM-4627-104 | **DESCRIPTION:** SPEAKER**FEATURES**

- compatible with IEC 60601 applications
- cloth & paper cone
- 104 dB @ 10 W/0.1 m

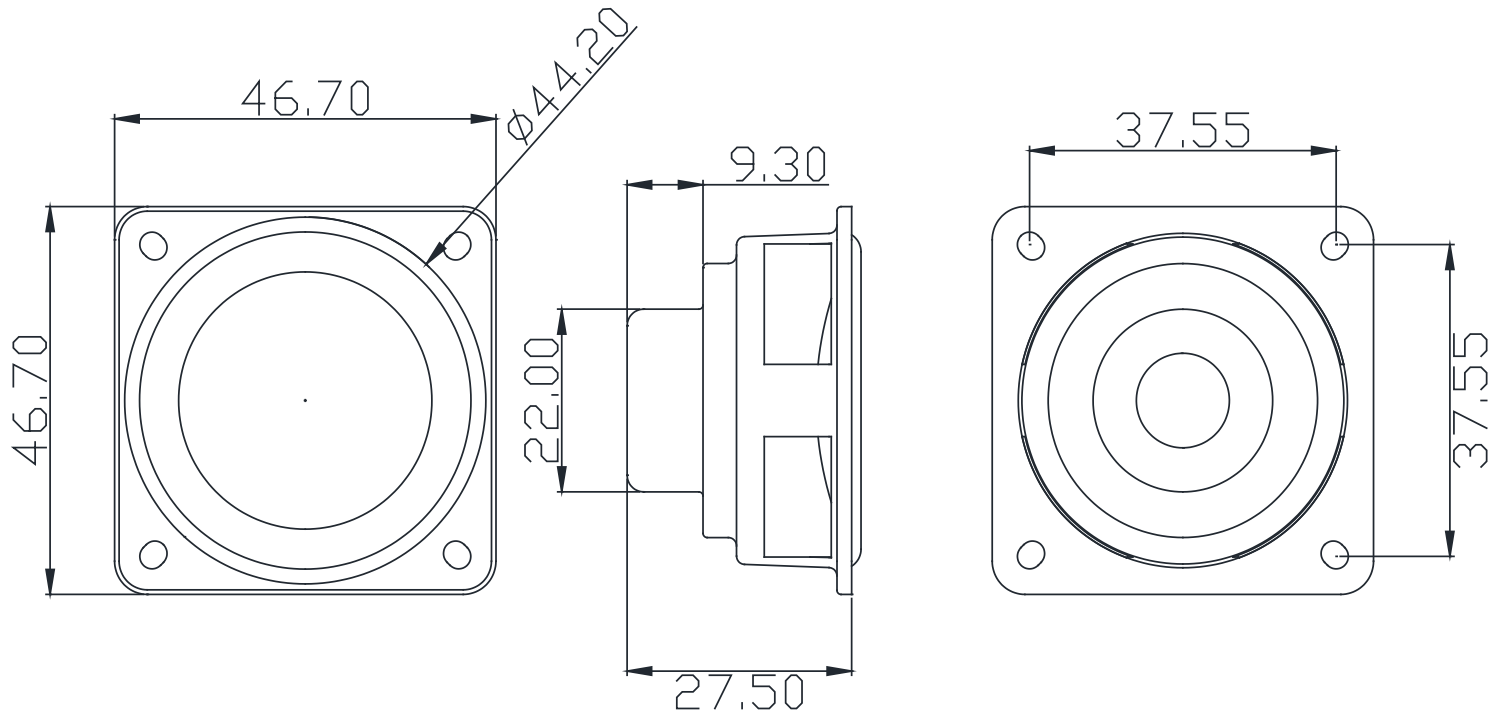
**SPECIFICATIONS**

parameter	conditions/description	min	typ	max	units
input power	max power: IEC-60268-5, filter 60 s on/120 s off, 10 cycles at room temp		10	12	W
impedance	at 1.0 kHz	3.4	4	4.6	$\Omega$
resonant frequency (Fo)	at 1.0 V	144	180	216	Hz
frequency response		Fo		20,000	Hz
sound pressure level	at 10.0 W, 0.1 m, avg at 0.8, 1.0, 1.2, 1.5 kHz	101	104	107	dB
distortion	at 500 Hz~10 kHz, rated power			5	%
buzz, rattle, etc.	must be normal at sine wave, frequency range 50 Hz~2 kHz			6.32	V
polarity	cone moves forward w/ positive dc current to "+" terminal				
dimensions	46.7 x 46.7 x 27.5				mm
magnet	Nd-Fe-B				
frame material	SPCC				
cone material	PU+paper				
terminal	solder eyelets				
weight			38		g
operating temperature		-20		60	$^{\circ}\text{C}$
storage temperature		-30		70	$^{\circ}\text{C}$
hand soldering	for maximum 3 seconds	370	380	390	$^{\circ}\text{C}$
RoHS	yes				

Notes: 1. All specifications measured at 15~35 $^{\circ}\text{C}$ , humidity at 45~85%, under 86~106 kPa pressure, unless otherwise noted.

## MECHANICAL DRAWING

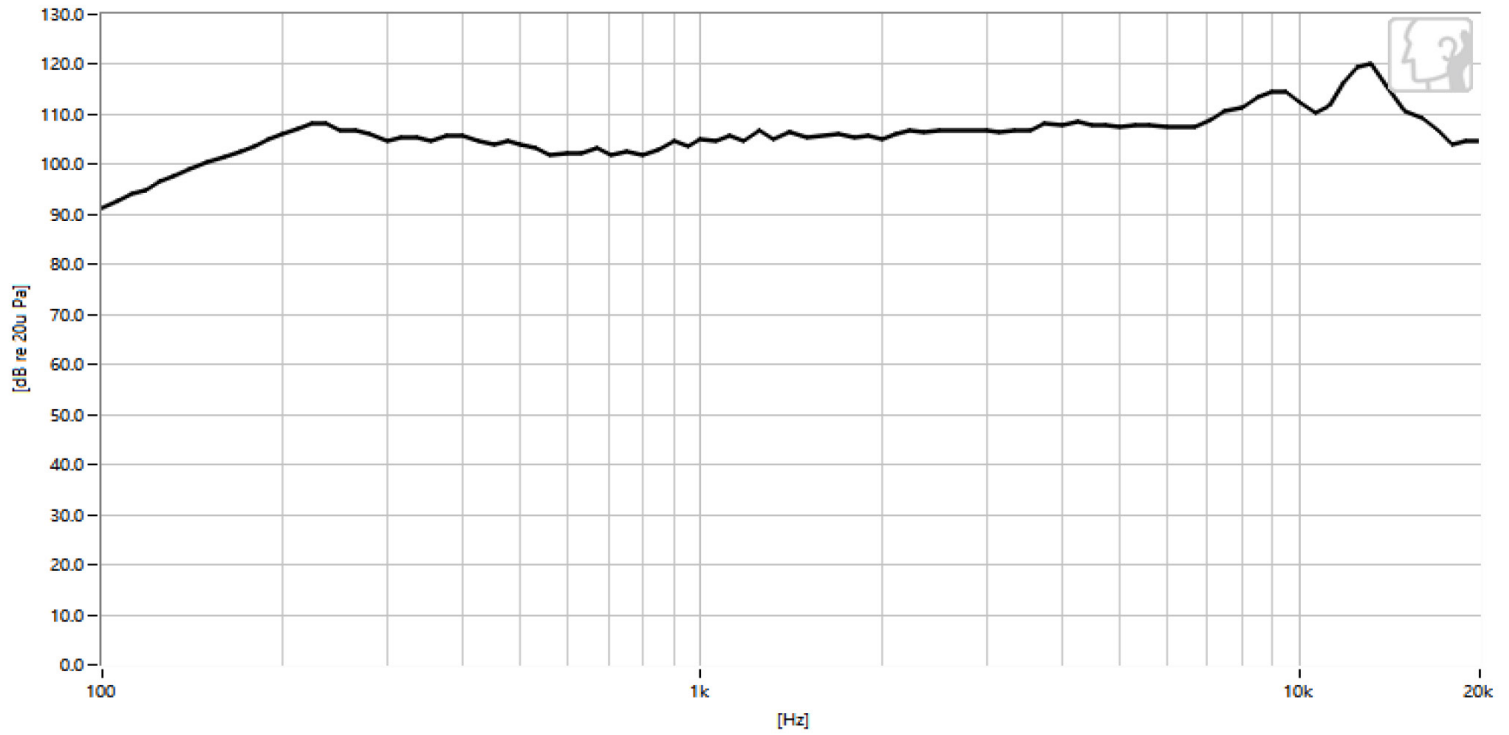
units: mm  
tolerance:  $\pm 0.5$  mm



## RESPONSE CURVES

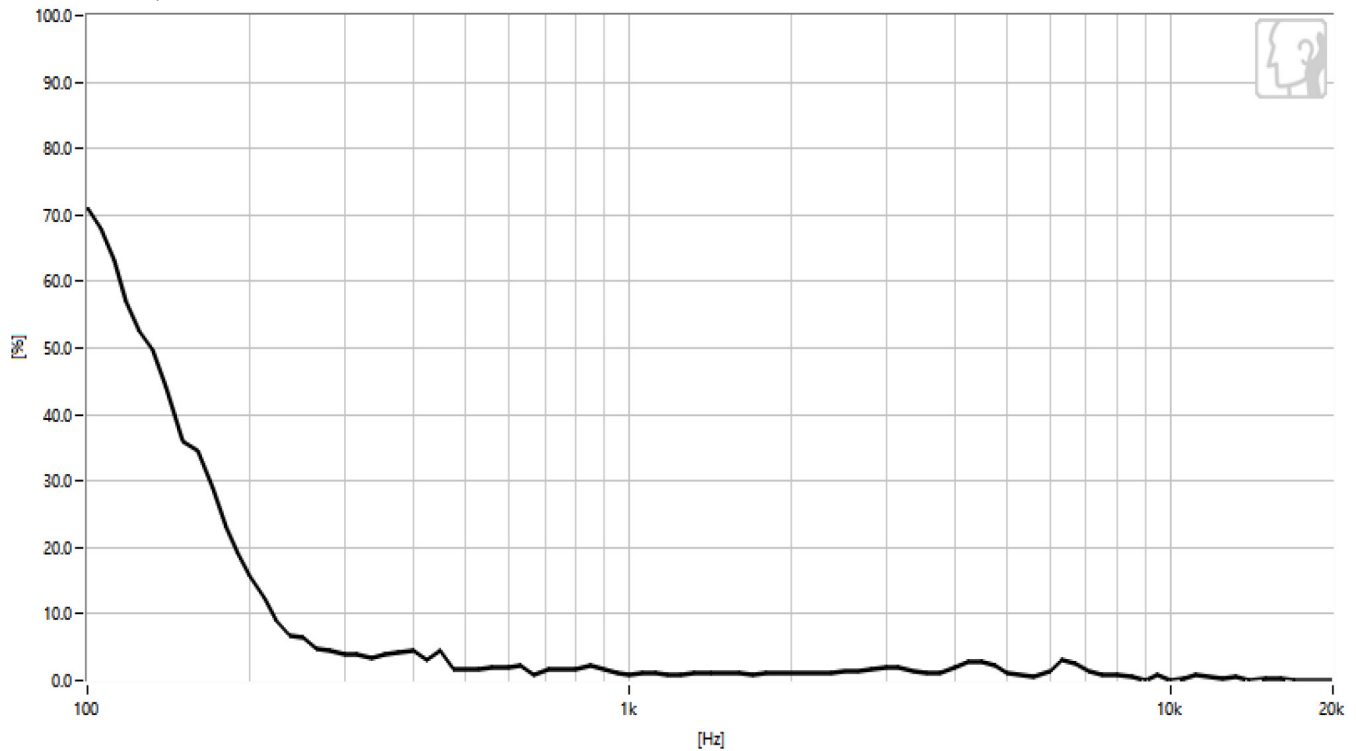
### Frequency Response Curve

Test Conditions: 10.0 W / 0.1 m



### Total Harmonic Distortion Curve

Test Conditions: 10.0 W / 0.1 m



## REVISION HISTORY

rev.	description	date
1.0	initial release	01/03/2024

The revision history provided is for informational purposes only and is believed to be accurate.



CUI Devices offers a one (1) year limited warranty. Complete warranty information is listed on our website.

CUI Devices reserves the right to make changes to the product at any time without notice. Information provided by CUI Devices is believed to be accurate and reliable. However, no responsibility is assumed by CUI Devices for its use, nor for any infringements of patents or other rights of third parties which may result from its use.

CUI Devices products are not authorized or warranted for use as critical components in equipment that requires an extremely high level of reliability. A critical component is any component of a life support device or system whose failure to perform can be reasonably expected to cause the failure of the life support device or system, or to affect its safety or effectiveness.

[cuidevices.com](http://cuidevices.com)