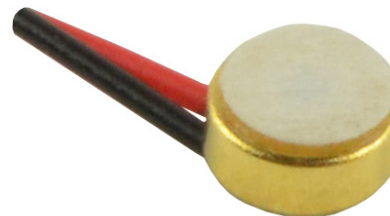


MODEL: CME-1538-100LB | **DESCRIPTION:** ELECTRET CONDENSER MICROPHONE

FEATURES

- omnidirectional
- 4.0 mm diameter
- wire leads
- IP67 rated


SPECIFICATIONS

parameter	conditions/description	min	typ	max	units
directivity	omnidirectional				
sensitivity [S]	f = 1 kHz, 1 Pa, 0 dB = 1 V/Pa	-41	-38	-35	dB
standard operating voltage [Vs]			2		Vdc
max operating voltage				10	Vdc
output impedance [Zout]	f = 1 kHz, 1 Pa		2.2		kΩ
sensitivity reduction [ΔS-Vs]	f = 1 kHz, 1 Pa, Vs = 2.0 ~ 1.5 Vdc		-3		dB
frequency [f]		100		20,000	Hz
current consumption [IDSS]	Vs = 2.0 Vdc, RL = 2.2 kΩ			0.5	mA
signal to noise ratio [S/N]	f = 1 kHz, 1 Pa, A-weighted		58		dBa
dimensions	Ø4.0 x 1.5				mm
material	brass (gold plating)				
terminal	wire leads				
weight				0.36	g
operating temperature		-30		80	°C
storage temperature		-30		80	°C
RoHS	yes				
IP level	IP67 [IEC standard 529 edition 2.0 (1989)]				

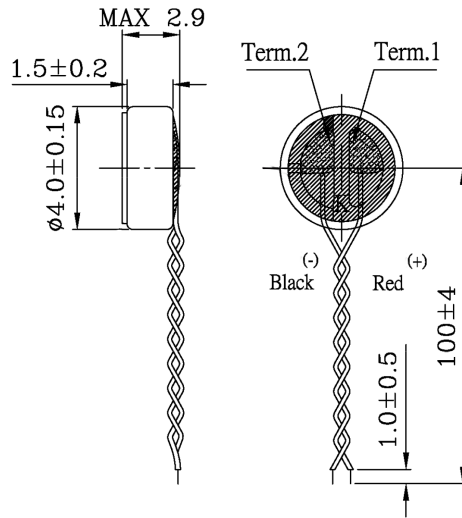
Notes: 1. We use the "Pascal (Pa)" indication of sensitivity as per the recommendation of I.E.C. (International Electrotechnical Commission). The sensitivity of "Pa" will increase 20 dB compared to the "ubar" indication. Example: -60 dB [0 dB = 1 V/ubar] = -40 dB [1 V/Pa]
 2. All specifications measured at 5-35°C, humidity at 45-85%, under 86-106 kPa pressure, unless otherwise noted.

SOLDERABILITY

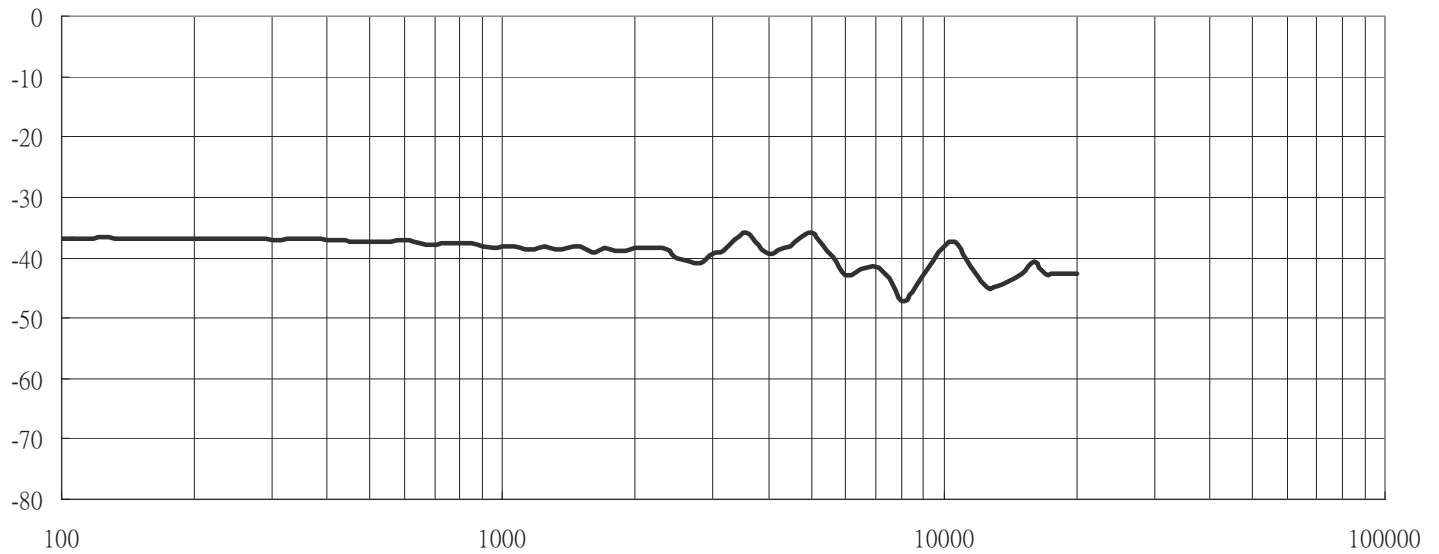
parameter	conditions/description	min	typ	max	units
hand soldering	for 2 ± 0.5 seconds	310	320	330	°C

MECHANICAL DRAWING

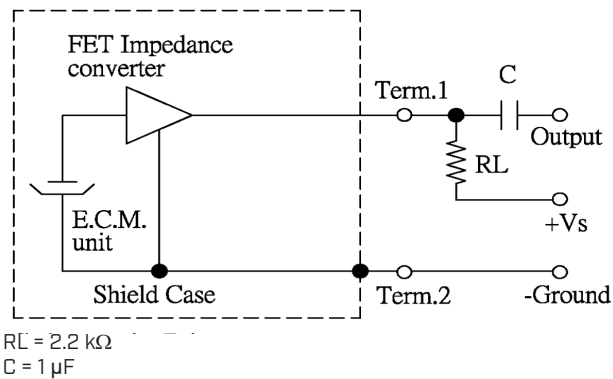
units: mm
 tolerance: ± 0.2 mm
 wire: UL1571 32 AWG



FREQUENCY RESPONSE CURVE



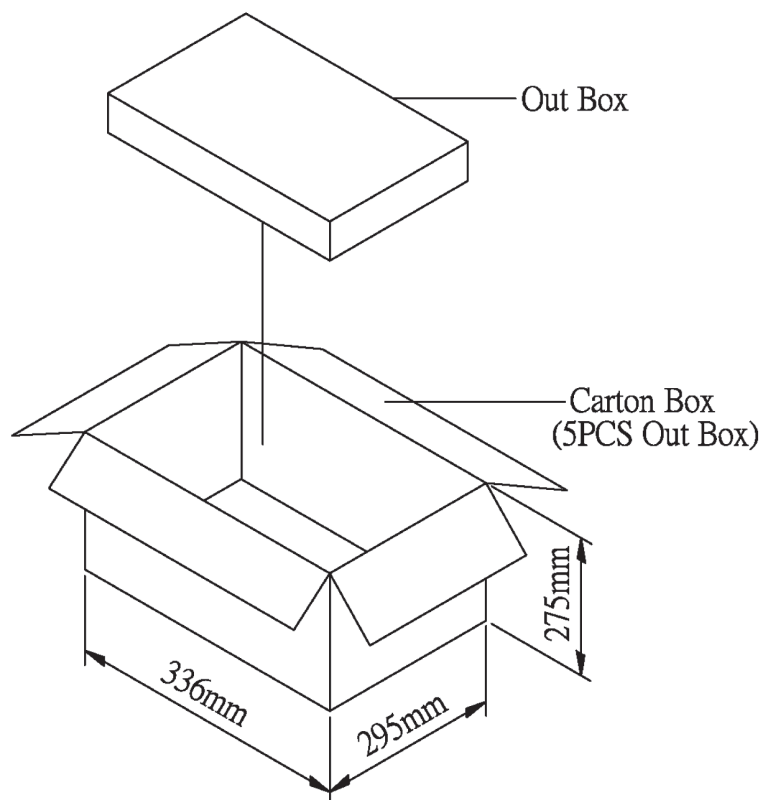
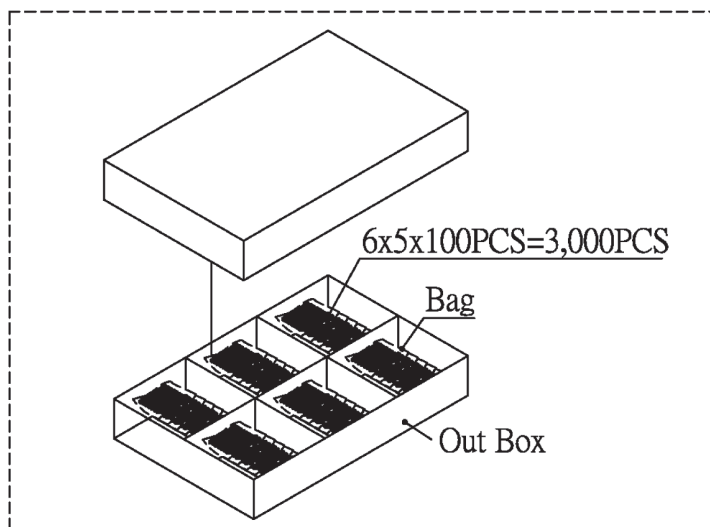
APPLICATION CIRCUIT



PACKAGING

units: mm

Inner Box Size: 310 x 248 x 49 mm
Outer Box Size: 336 x 295 x 275 mm
Inner Box QTY: 3,000 pcs per box
Outer Box QTY: 15,000 pcs per box



REVISION HISTORY

rev.	description	date
1.0	initial release	07/14/2010
1.01	specificaton update	04/29/2015
1.02	brand update	04/24/2020
1.03	logo, datasheet style update	08/05/2022

The revision history provided is for informational purposes only and is believed to be accurate.



CUI Devices offers a one (1) year limited warranty. Complete warranty information is listed on our website.

CUI Devices reserves the right to make changes to the product at any time without notice. Information provided by CUI Devices is believed to be accurate and reliable. However, no responsibility is assumed by CUI Devices for its use, nor for any infringements of patents or other rights of third parties which may result from its use.

CUI Devices products are not authorized or warranted for use as critical components in equipment that requires an extremely high level of reliability. A critical component is any component of a life support device or system whose failure to perform can be reasonably expected to cause the failure of the life support device or system, or to affect its safety or effectiveness.

cuidevices.com