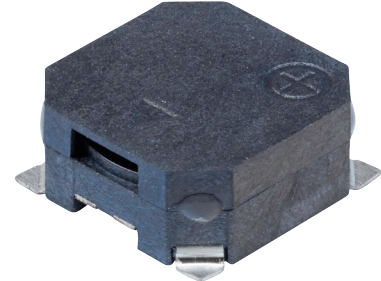


MODEL: CMI-8536-82-SMT-TR | **DESCRIPTION:** MAGNETIC BUZZER INDICATOR

FEATURES

- compact design
- magnetic
- surface mount
- internally driven


SPECIFICATIONS

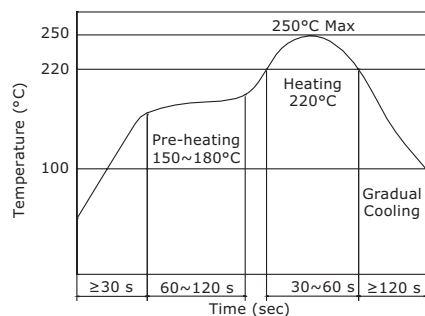
parameter	conditions/description	min	typ	max	units
rated voltage			3		Vdc
operating voltage		2		5	Vdc
current consumption	at rated voltage			40	mA
rated frequency	at rated voltage	2,600	2,700	2,800	Hz
sound pressure level	at 10 cm, rated voltage	82			dB
tone	continuous				
dimensions	8.5 x 8.5 x 3.6				mm
weight				0.8	g
material	LCP				
terminal	surface mount (brass)				
operating temperature		-40		85	°C
storage temperature		-40		85	°C
washable	no				
RoHS	yes				

Notes: 1. All specifications measured at 25±3°C, humidity at 60~70%, under 86~106 kPa pressure, unless otherwise noted.

SOLDERABILITY

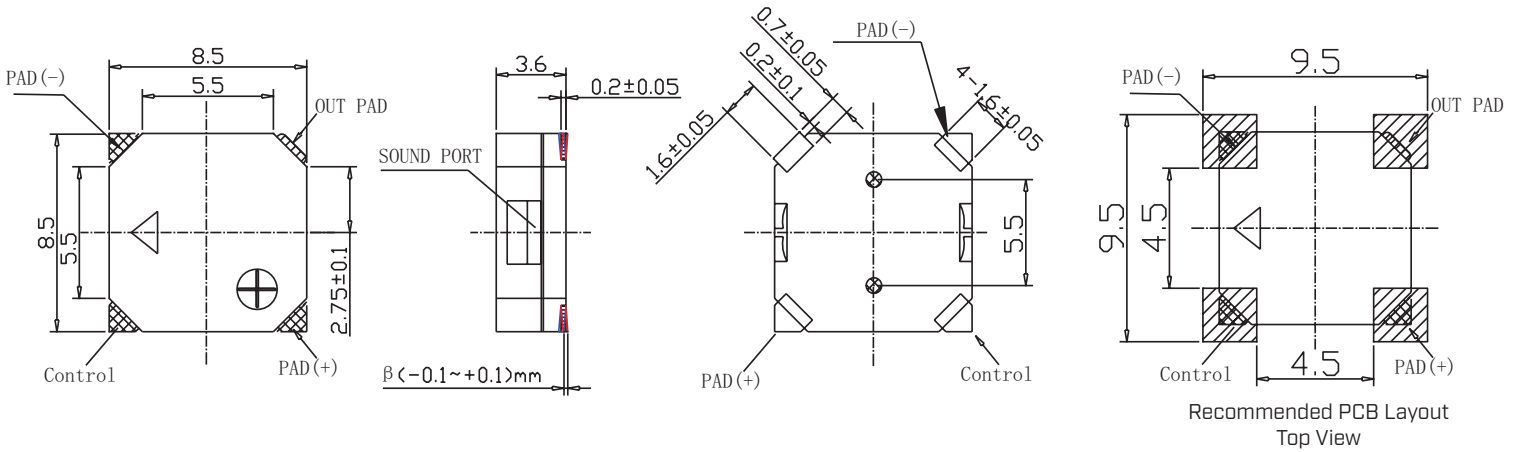
parameter	conditions/description	min	typ	max	units
reel storage	at relative humidity <60%			25	°C
reflow soldering ²	see recommended reflow soldering profile			250	°C
drying conditions ³	bake at 40°C for 24 hours				

Note: 2. It is recommended to reflow solder within 48 hours from opening vacuum packaging at a temperature <30°C & relative humidity <60%.
3. When out of packaging for more than 48 hours.



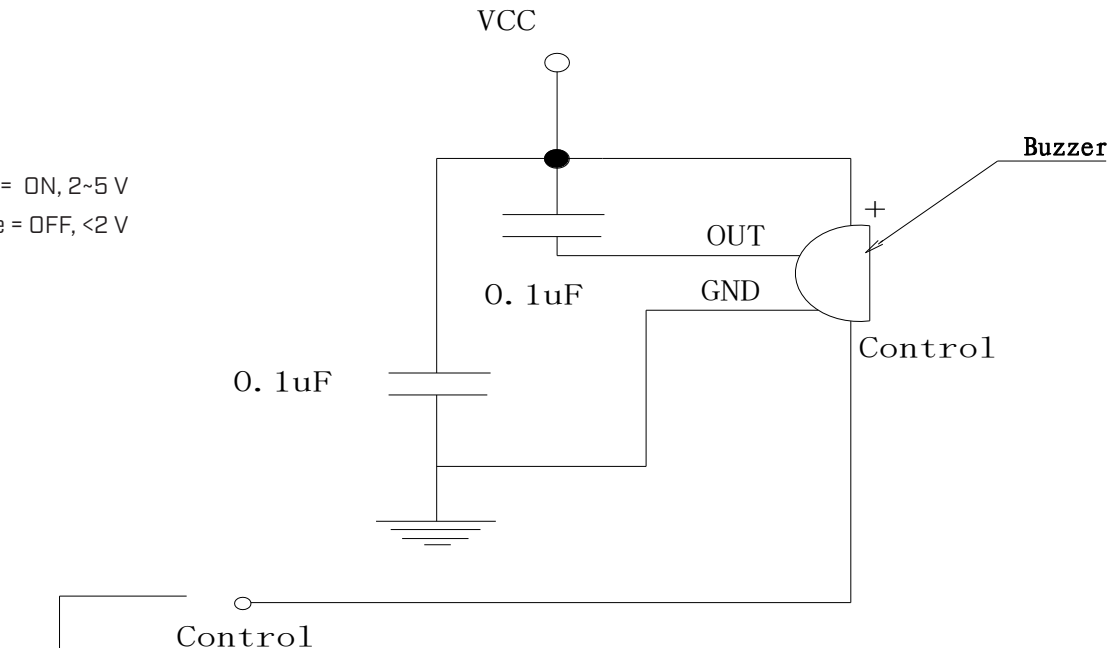
MECHANICAL DRAWING

units: mm
tolerance: ± 0.3 mm

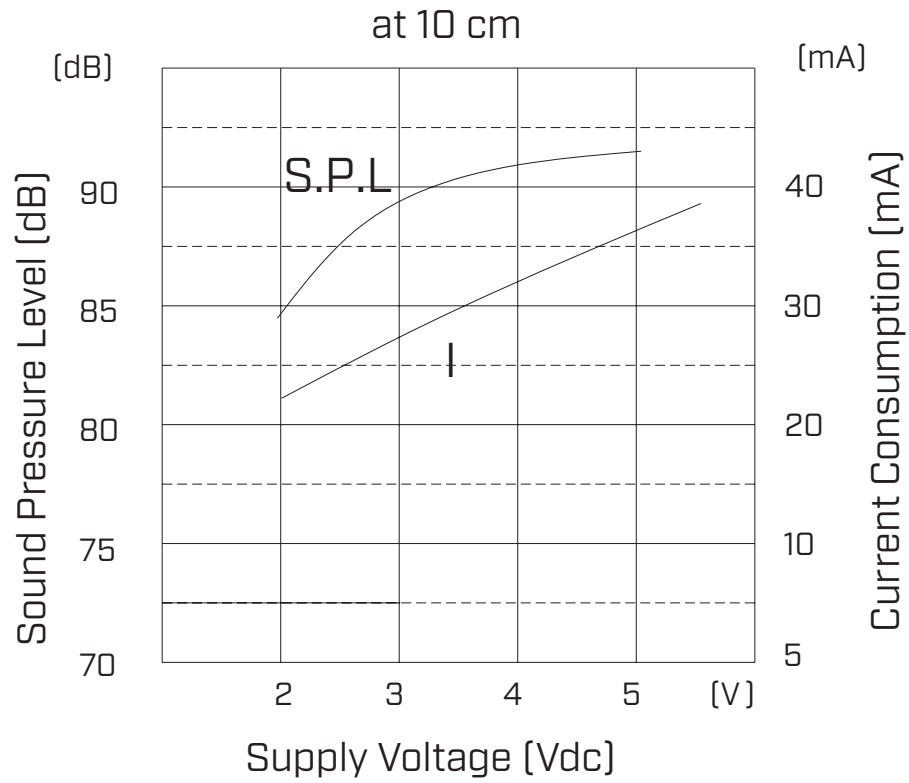


APPLICATION CIRCUIT

Control + Positive = ON, 2~5 V
Control + Negative = OFF, <2 V



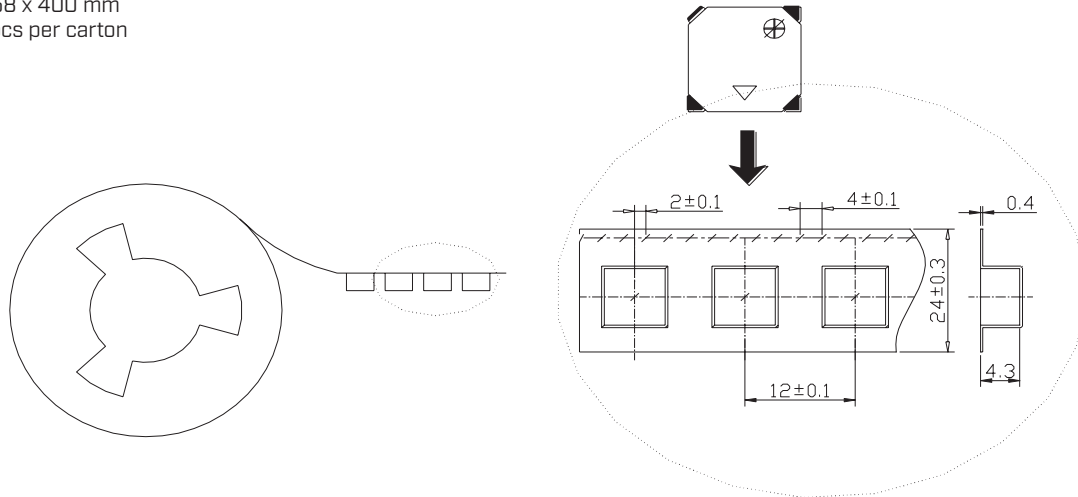
PERFORMANCE CURVES



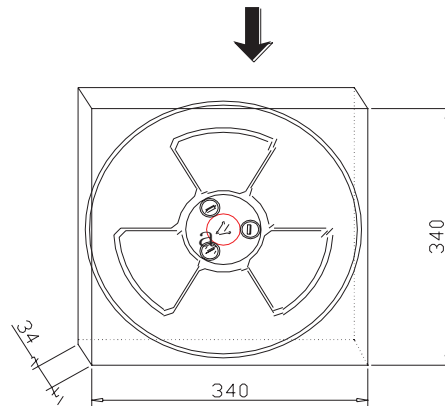
PACKAGING

units: mm

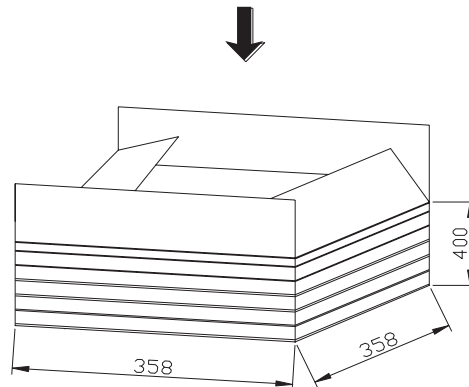
Reel Size: $\varnothing 330$ mm
 Reel QTY: 1,000 pcs per reel
 Carton Size: 358 x 358 x 400 mm
 Carton QTY: 10,000 pcs per carton



1000PCS/CARRIER REEL



1ROLL CARRIER REEL/INNER BOX



10000PCS/CTN

REVISION HISTORY

rev.	description	date
1.0	initial release	08/07/2023
1.01	added application circuit	04/15/2024

The revision history provided is for informational purposes only and is believed to be accurate.



CUI Devices offers a one (1) year limited warranty. Complete warranty information is listed on our website.

CUI Devices reserves the right to make changes to the product at any time without notice. Information provided by CUI Devices is believed to be accurate and reliable. However, no responsibility is assumed by CUI Devices for its use, nor for any infringements of patents or other rights of third parties which may result from its use.

CUI Devices products are not authorized or warranted for use as critical components in equipment that requires an extremely high level of reliability. A critical component is any component of a life support device or system whose failure to perform can be reasonably expected to cause the failure of the life support device or system, or to affect its safety or effectiveness.

cuidevices.com