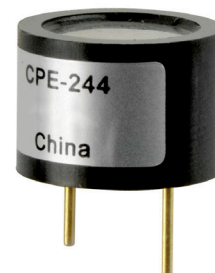


**MODEL:** CPE-244 | **DESCRIPTION:** PIEZO BUZZER INDICATOR

**FEATURES**

- through-hole pins
- 12 Vdc rating
- 5 kHz rated frequency
- IP67 rating



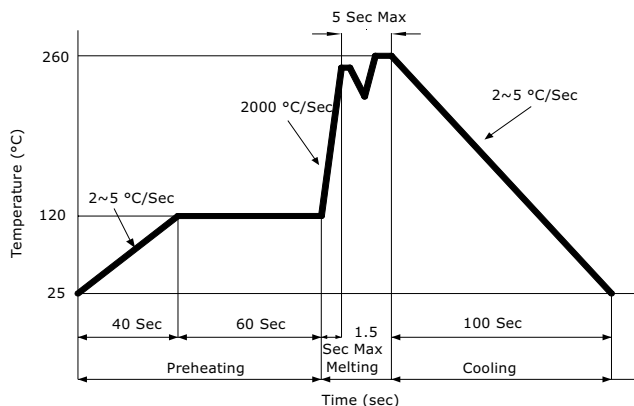
**SPECIFICATIONS**

parameter	conditions/description	min	typ	max	units
rated voltage			12		Vdc
operating voltage		9		16	Vdc
current consumption	at rated voltage			35	mA
rated frequency		4,500	5,000	5,500	Hz
sound pressure level	at 30 cm, rated voltage	80			dB
dimensions	Ø14.0 x 10.0				mm
weight				5.0	g
material	PBT+15% Glass				
terminal	pin type (gold plating)				
operating temperature		-30		85	°C
storage temperature		-40		95	°C
RoHS	yes				
IP level	IP67 (IEC standard 529 edition 2.0(1989))				

Notes: 1. All specifications measured at 5-35°C, humidity at 45-85%, under 86-106kPa pressure, unless otherwise noted.

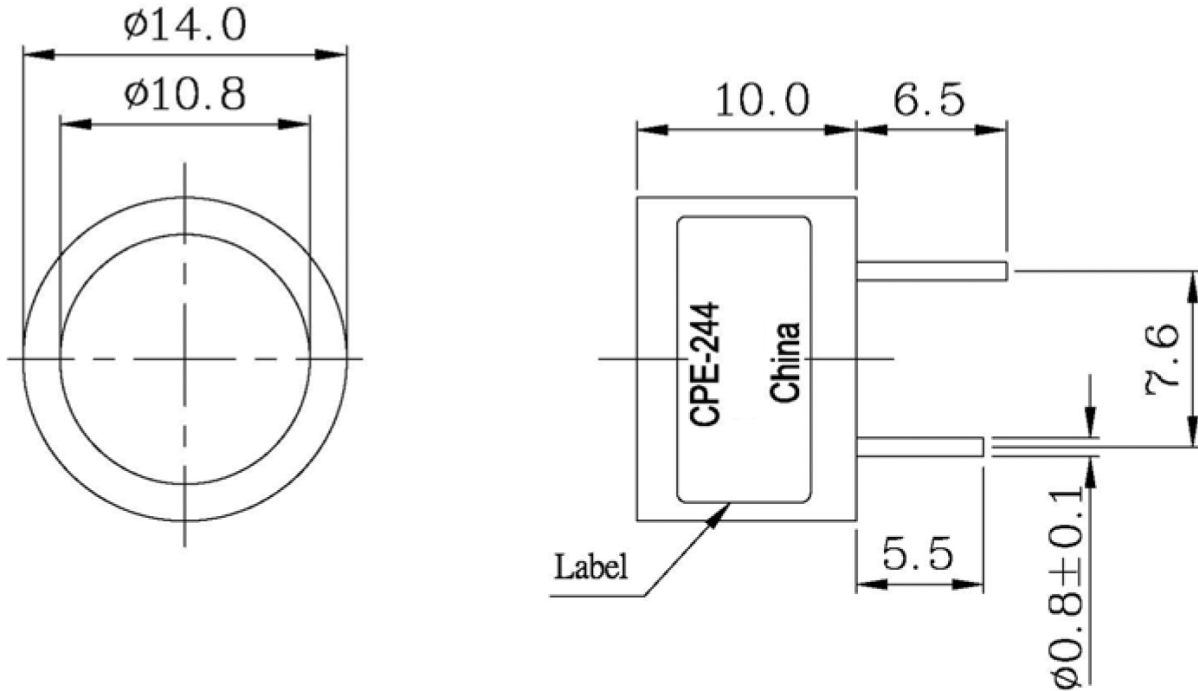
**SOLDERABILITY**

parameter	conditions/description	min	typ	max	units
hand soldering	for maximum 5 seconds	330		380	°C
wave soldering	see wave solder profile			260	°C



## MECHANICAL DRAWING

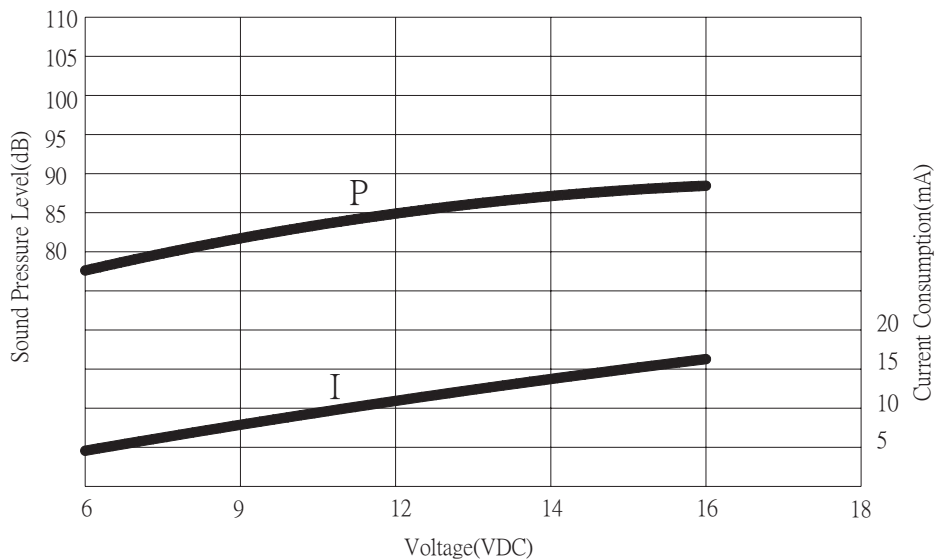
units: mm  
tolerance: ±0.5 mm



## PERFORMANCE CURVES

P: Voltage vs. Sound Pressure Level  
I: Voltage vs. Current Consumption

at 30cm



## REVISION HISTORY

rev.	description	date
1.0	initial release	06/09/2005
1.01	applied new spec template	06/16/2015
1.02	brand update	12/16/2019
1.03	logo, datasheet style update	08/05/2022

The revision history provided is for informational purposes only and is believed to be accurate.



CUI Devices offers a one (1) year limited warranty. Complete warranty information is listed on our website.

CUI Devices reserves the right to make changes to the product at any time without notice. Information provided by CUI Devices is believed to be accurate and reliable. However, no responsibility is assumed by CUI Devices for its use, nor for any infringements of patents or other rights of third parties which may result from its use.

CUI Devices products are not authorized or warranted for use as critical components in equipment that requires an extremely high level of reliability. A critical component is any component of a life support device or system whose failure to perform can be reasonably expected to cause the failure of the life support device or system, or to affect its safety or effectiveness.

[cuidevices.com](http://cuidevices.com)