

**SERIES:** CPS-5447X-1105PM | **DESCRIPTION:** SIREN

### FEATURES

- black or white case color
- 103 dB @ 1 m



### SPECIFICATIONS

parameter	conditions/description	min	typ	max	units
rated voltage			12		Vdc
operating voltage		6		15	Vdc
current consumption	at rated voltage			130	mA
sound pressure level	at 1 m, rated voltage	103			dB
tone	one tone				
dimensions	54 x 47 x 70.5				mm
weight			77		g
material	ABS (black or white models)				
terminal	wire leads				
operating temperature	for 10 minutes	-10		65	°C
storage temperature		-20		60	°C
RoHS	yes				
IP level	IP44				

### PART NUMBER KEY

**CPS - 5447 X - 1105PM**

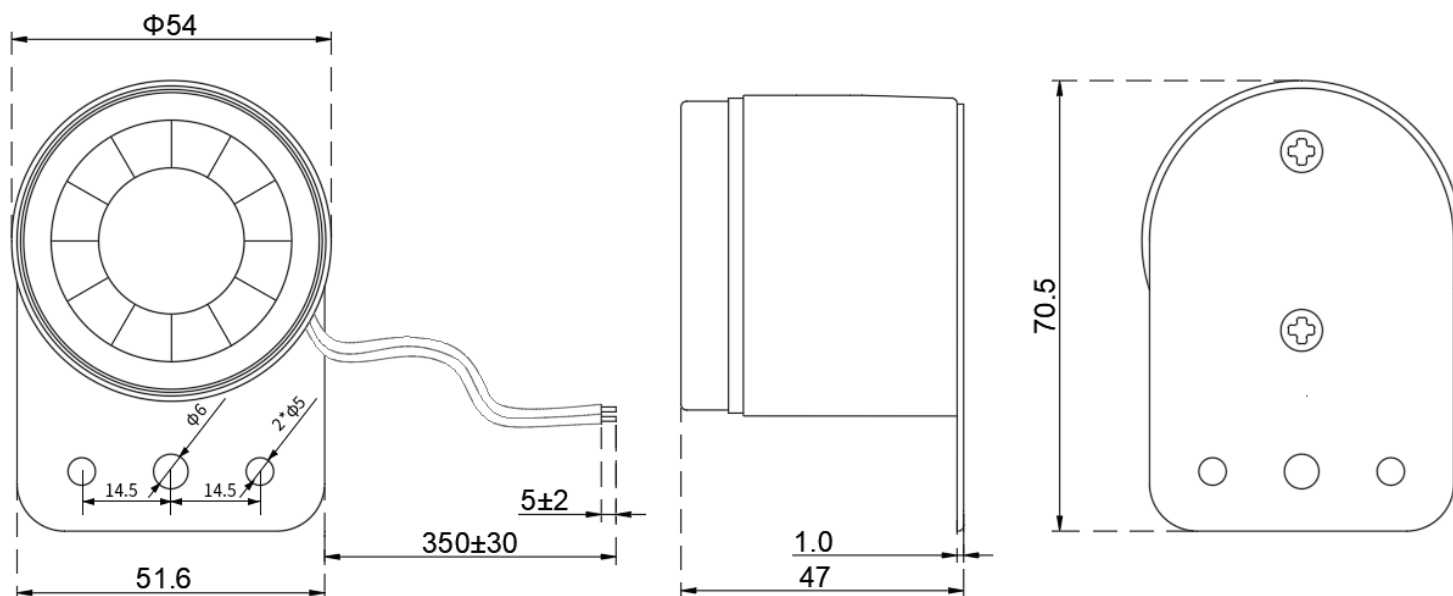
Base Number

Case Color Options:  
 "blank" = black  
 W = white

## MECHANICAL DRAWING

units: mm  
tolerance:  $\pm 3$  mm

wire: UL 1007, 24 AWG



## REVISION HISTORY

rev.	description	date
1.0	initial release	11/09/2023

The revision history provided is for informational purposes only and is believed to be accurate.



CUI Devices offers a one (1) year limited warranty. Complete warranty information is listed on our website.

CUI Devices reserves the right to make changes to the product at any time without notice. Information provided by CUI Devices is believed to be accurate and reliable. However, no responsibility is assumed by CUI Devices for its use, nor for any infringements of patents or other rights of third parties which may result from its use.

CUI Devices products are not authorized or warranted for use as critical components in equipment that requires an extremely high level of reliability. A critical component is any component of a life support device or system whose failure to perform can be reasonably expected to cause the failure of the life support device or system, or to affect its safety or effectiveness.

[cuidevices.com](http://cuidevices.com)