

**MODEL:** CPT-308-28-85T | **DESCRIPTION:** PIEZO BUZZER TRANSDUCER**FEATURES**

- 12 Vdc rated
- 70 dB
- continuous tone
- feedback pin

**SPECIFICATIONS**

| parameter                 | conditions/description  | min    | typ    | max    | units |
|---------------------------|-------------------------|--------|--------|--------|-------|
| rated voltage             |                         |        | 12     |        | Vdc   |
| operating voltage         |                         | 5      |        | 28     | Vdc   |
| current consumption       | at rated voltage        |        |        | 12     | mA    |
| rated frequency           |                         | 700    | 1,200  | 1,700  | Hz    |
| sound pressure level      | at 30 cm, rated voltage | 70     |        |        | dB    |
| tone                      | continuous              |        |        |        |       |
| electrostatic capacitance | at 120 Hz, 1 V          | 35,000 | 50,000 | 65,000 | pF    |
| dimensions                | ∅30.0 x 7.48            |        |        |        | mm    |
| weight                    |                         |        |        | 3.0    | g     |
| material                  | PBT+30% UL94V-0 (black) |        |        |        |       |
| terminal                  | pin (tin plating)       |        |        |        |       |
| operating temperature     |                         | -30    |        | 85     | °C    |
| storage temperature       |                         | -30    |        | 85     | °C    |
| washable                  | no                      |        |        |        |       |
| RoHS                      | yes                     |        |        |        |       |

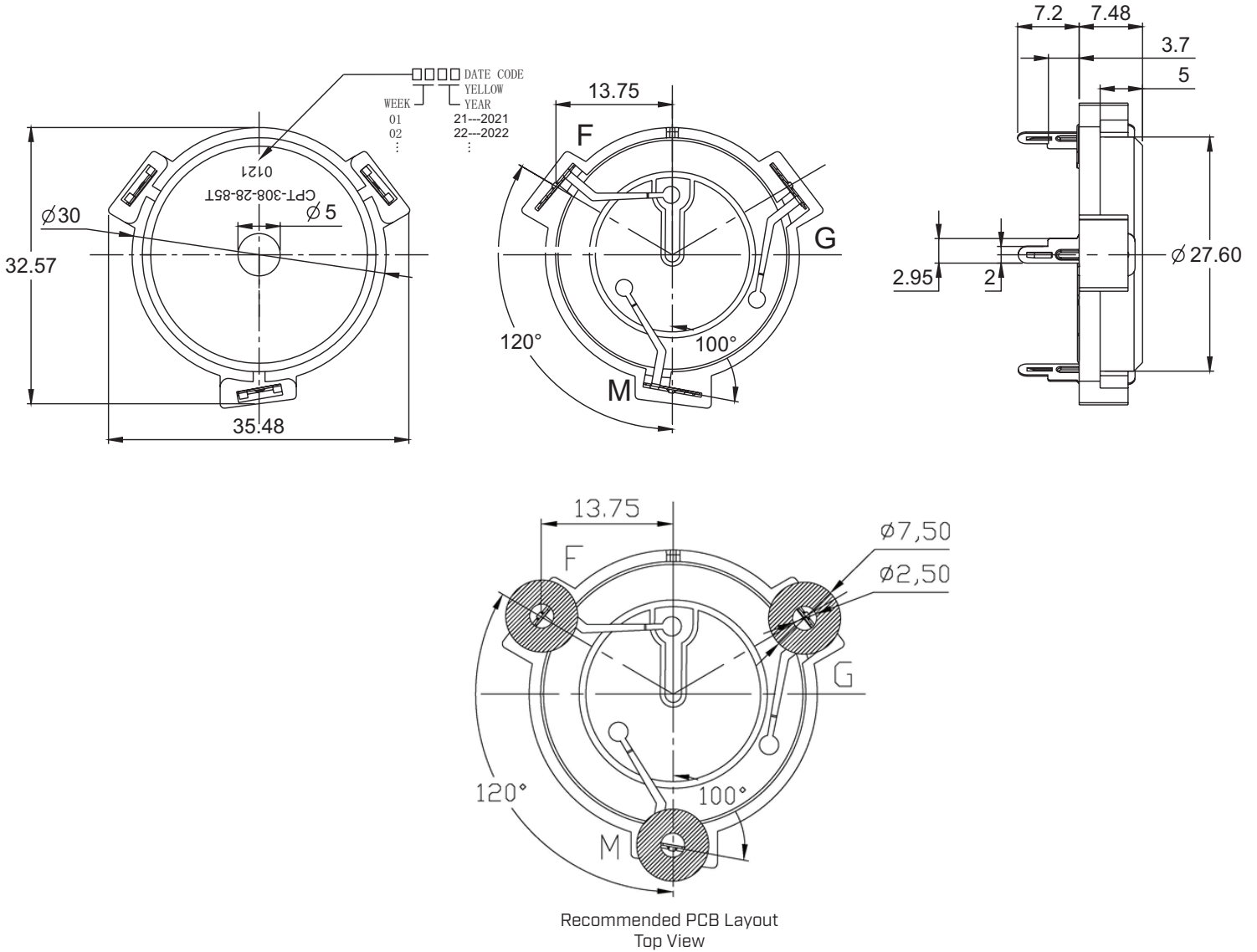
Notes: 1. All specifications measured at 5-35°C, humidity at 45-85%, under 86-106kPa pressure, unless otherwise noted.

**SOLDERABILITY**

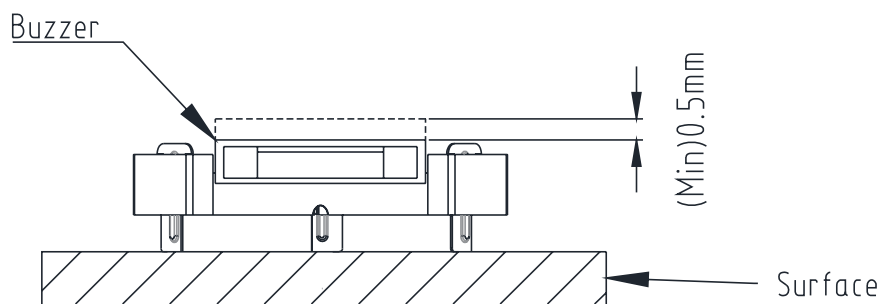
| parameter      | conditions/description | min | typ | max | units |
|----------------|------------------------|-----|-----|-----|-------|
| hand soldering | for maximum 5 seconds  | 270 |     | 280 | °C    |

## MECHANICAL DRAWING

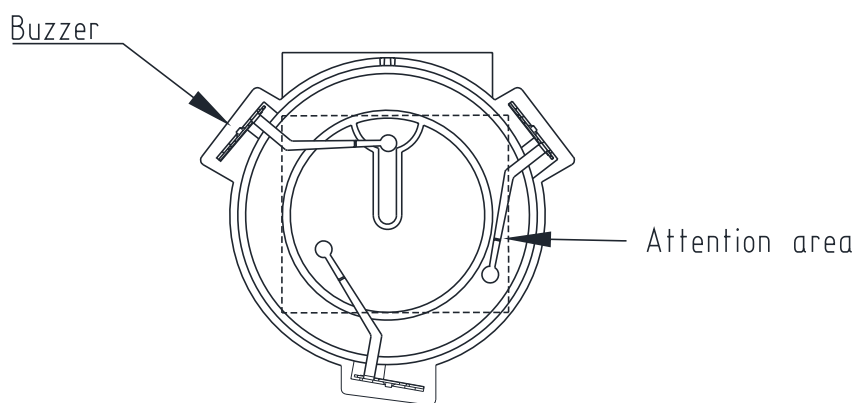
units: mm  
tolerance: ±0.5 mm



## INSTALLATION GUIDELINES



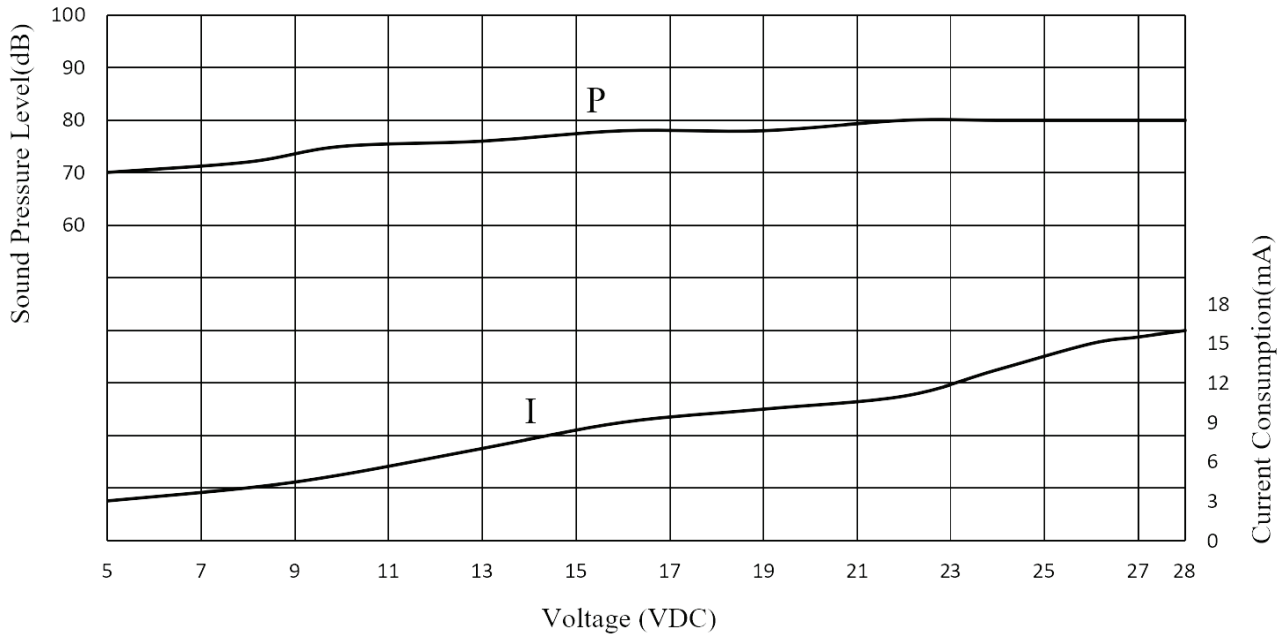
It's recommended reserve at least 0.5mm between the product and the surface. And the surface must not have any protrusions.



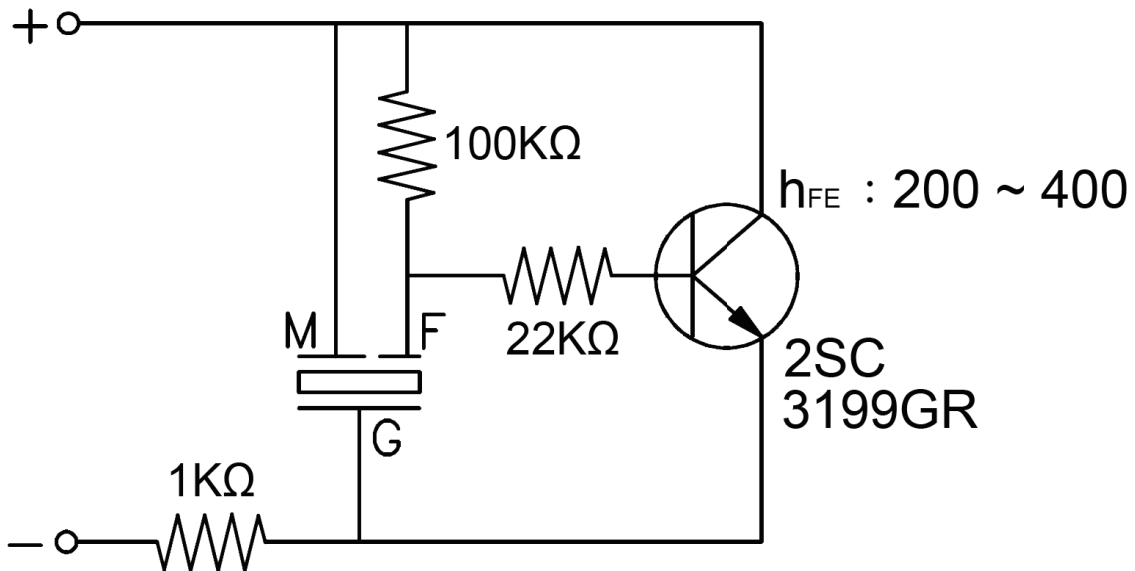
If buzzer's piezo side close to any potentially conductive surface, it is recommended that the product body surface (not piezo side) should add insulating tape to prevent short circuit conditions.

## PERFORMANCE CURVES

P: Voltage vs. Sound Pressure Level  
 I: Voltage vs. Current Consumption  
 at 30 cm



## DRIVING CIRCUIT



Notes: 1. The current consumption and the sound pressure level are measured by using the recommend driving circuit shown above.

## PACKAGING

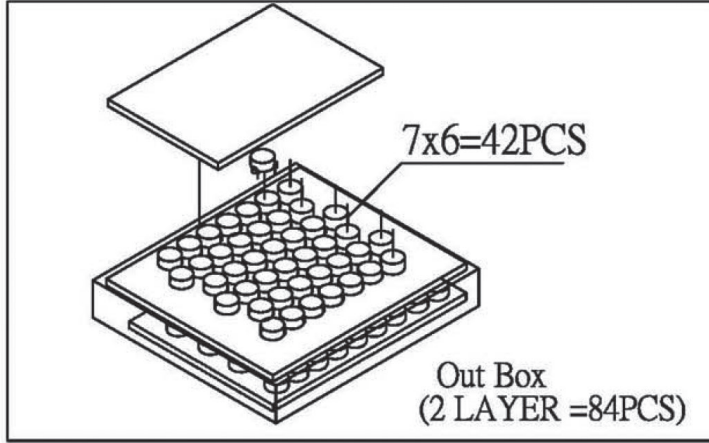
units: mm

Inner Box Size: 310 x 248 x 49 mm

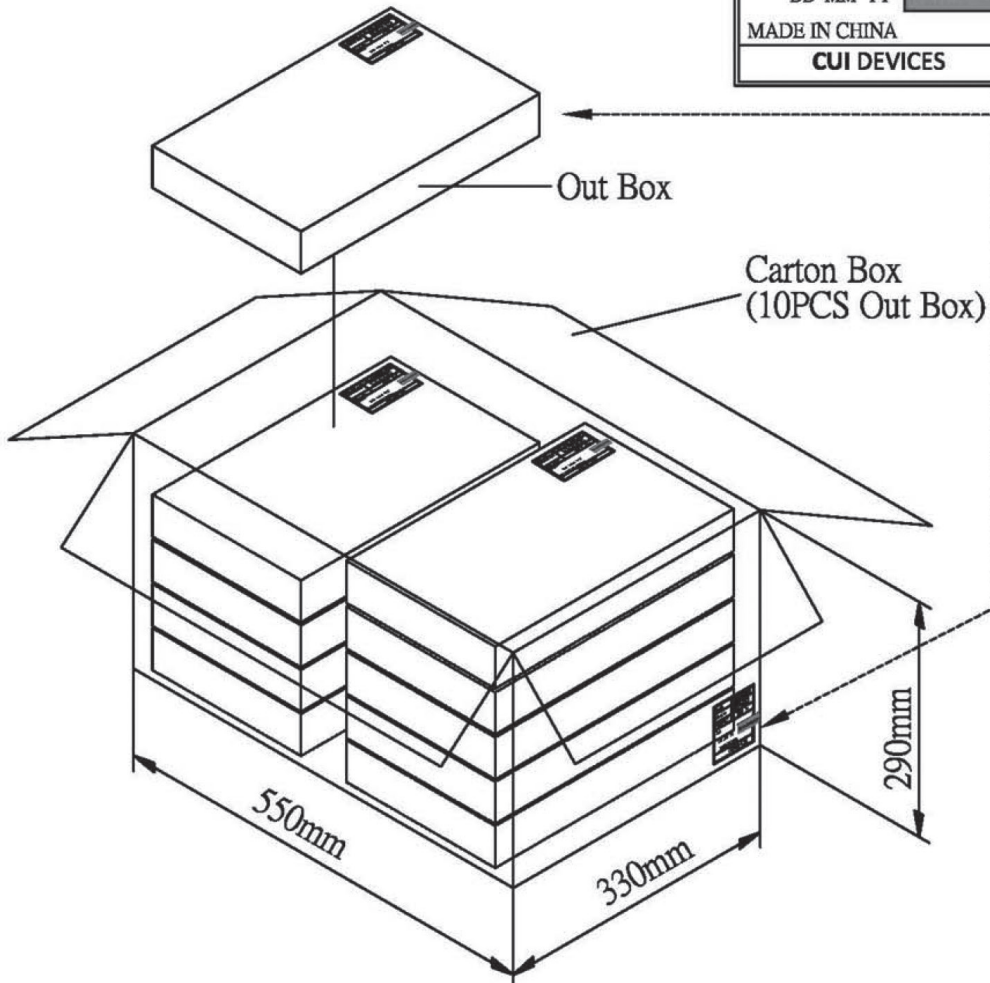
Carton Size: 550 x 330 x 290 mm

Inner Box QTY: 84 pcs per box

Carton QTY: 840 pcs per carton



|                       |                          |
|-----------------------|--------------------------|
| Lot No.               | XXXXXXXXXX               |
| Model No.             | XXXXXXXXXX<br>XXXXXXXXXX |
| Quantity.             | XXXX Pcs                 |
| Date:                 | DD MM YY                 |
| <b>RoHs Compliant</b> |                          |
| MADE IN CHINA         |                          |
| <b>CUI DEVICES</b>    |                          |



## REVISION HISTORY

| rev. | description                  | date       |
|------|------------------------------|------------|
| 1.0  | initial release              | 11/24/2021 |
| 1.01 | logo, datasheet style update | 08/05/2022 |

The revision history provided is for informational purposes only and is believed to be accurate.



CUI Devices offers a one (1) year limited warranty. Complete warranty information is listed on our website.

CUI Devices reserves the right to make changes to the product at any time without notice. Information provided by CUI Devices is believed to be accurate and reliable. However, no responsibility is assumed by CUI Devices for its use, nor for any infringements of patents or other rights of third parties which may result from its use.

CUI Devices products are not authorized or warranted for use as critical components in equipment that requires an extremely high level of reliability. A critical component is any component of a life support device or system whose failure to perform can be reasonably expected to cause the failure of the life support device or system, or to affect its safety or effectiveness.

[cuidevices.com](http://cuidevices.com)