

**MODEL:** CTW-5424-108SE | **DESCRIPTION:** TWEETER

**FEATURES**

- tweeter
- Fo 1300 Hz
- paper diaphragm

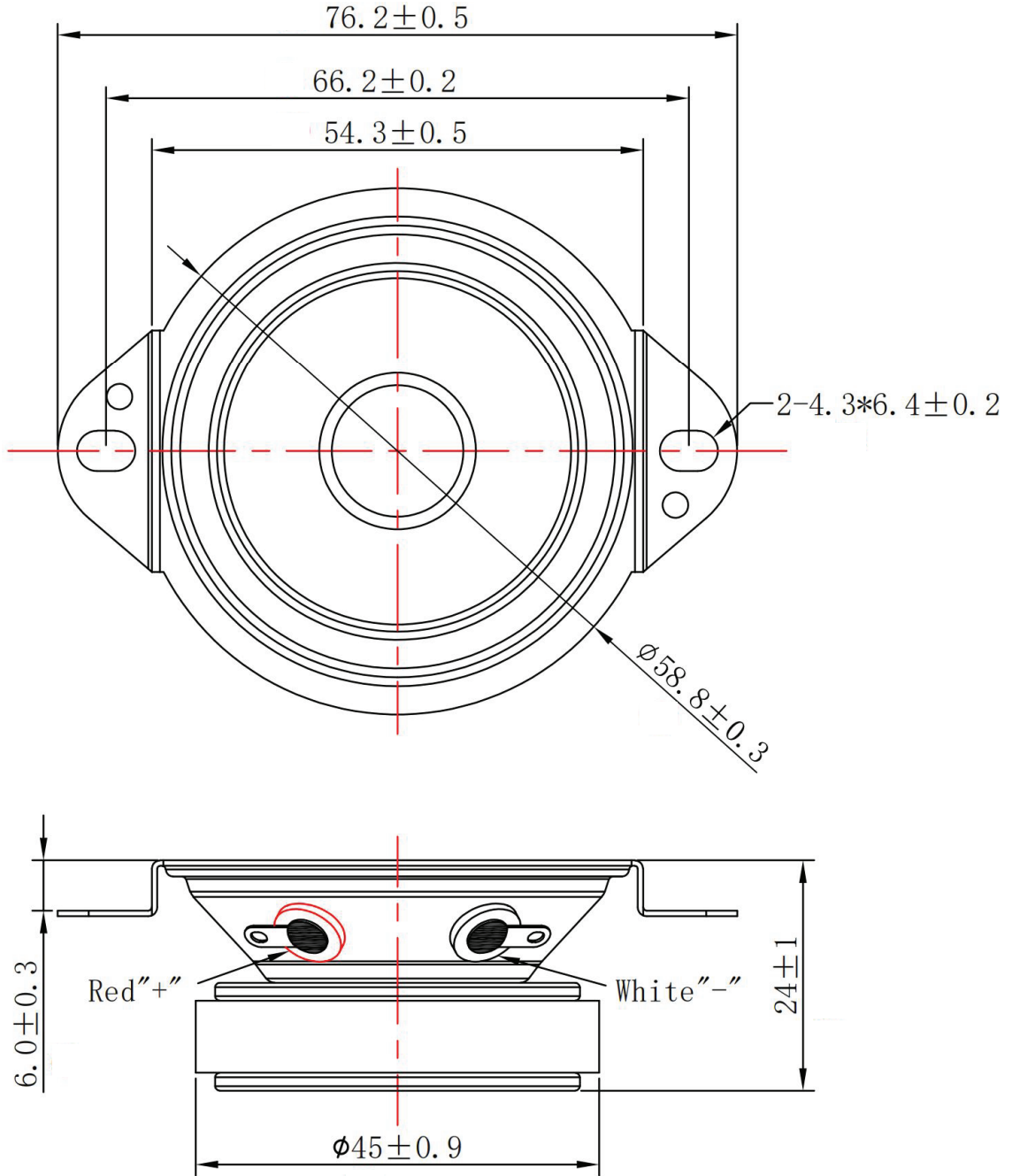

**SPECIFICATIONS**

| parameter               | conditions/description  | min          | typ          | max          | units                |
|-------------------------|---|--------------|--------------|--------------|----------------------|
| input power             |   |              | 10.0         | 15.0         | W                    |
| impedance               | DCR<br>at 2.0 kHz, 1.0 W  | 6.696<br>6.8 | 7.200<br>8.0 | 7.704<br>9.2 | $\Omega$<br>$\Omega$ |
| resonant frequency (Fo) | at 1.0 W  | 1,040        | 1,300        | 1,560        | Hz                   |
| frequency response      |   | Fo           |              | 20,000       | Hz                   |
| sound pressure level    | at 1.0 W, 1 m, ave at 2.0, 3.0, 4.0, 6.0 kHz                          | 86           | 89           | 92           | dB                   |
| distortion              | at 2.0 kHz, 1.0 W   |              |              | 10           | %                    |
| pure sound detection    | input signal: sine wave from 1,300 to 8,000 Hz for 3 seconds/2 cycles |              | 6.32         |              | V                    |
| polarity                | cone moves backwards w/ positive dc current to "+" terminal           |              |              |              |                      |
| dimensions              | $\varnothing$ 58.8 x 24.0   |              |              |              | mm                   |
| magnet                  | ferrite   |              |              |              |                      |
| frame material          | SPCC  |              |              |              |                      |
| cone material           | paper   |              |              |              |                      |
| terminal                | solder terminals  |              |              |              |                      |
| weight                  |   | 97.2         | 108.0        | 118.8        | g                    |
| operating temperature   |   | -25          |              | 55           | $^{\circ}$ C         |
| storage temperature     |   | -25          |              | 55           | $^{\circ}$ C         |
| hand soldering          | for maximum 3 seconds   | 370          | 400          | 430          | $^{\circ}$ C         |
| RoHS                    | yes   |              |              |              |                      |

Notes: 1. All specifications measured at 20 $\pm$ 2 $^{\circ}$ C, humidity at 63-67%, under 86-106 kPa pressure, unless otherwise noted.

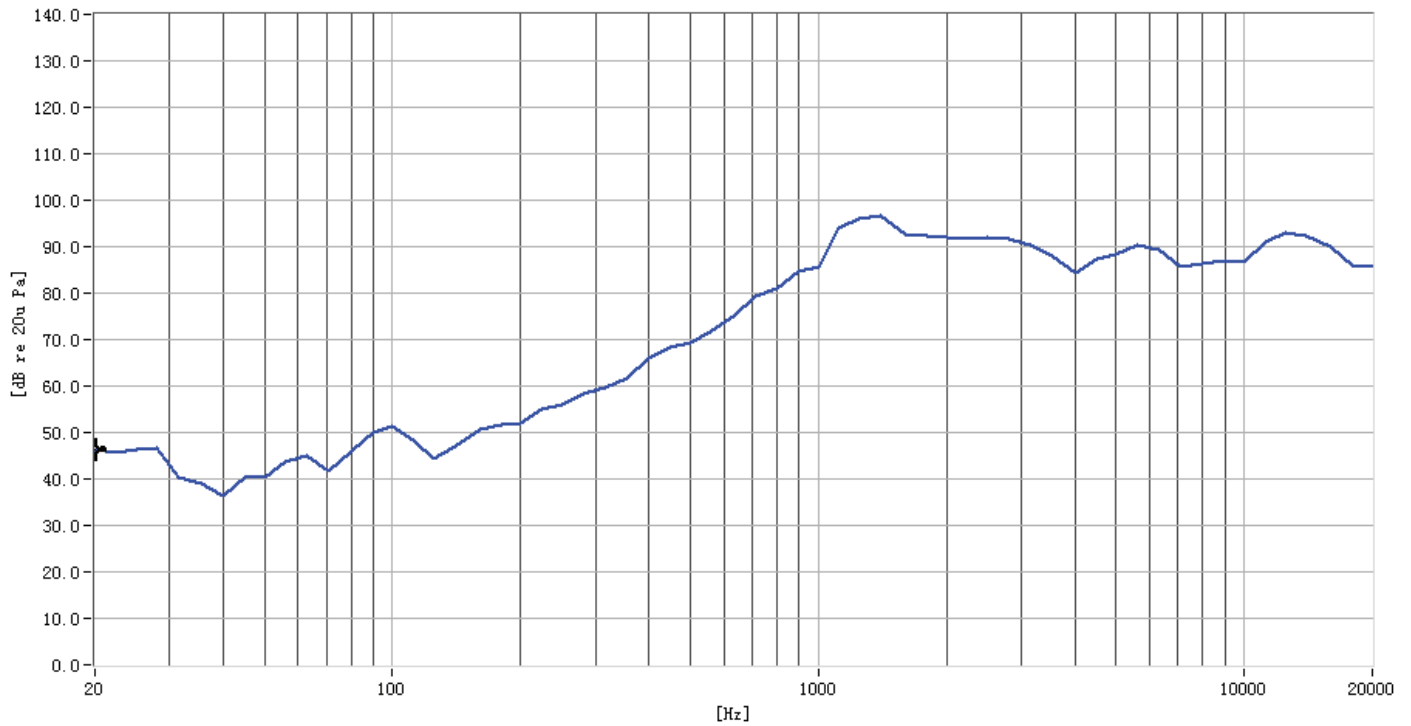
## MECHANICAL DRAWING

units: mm  
 tolerance:  $\pm 0.5$  mm  
 unless otherwise noted

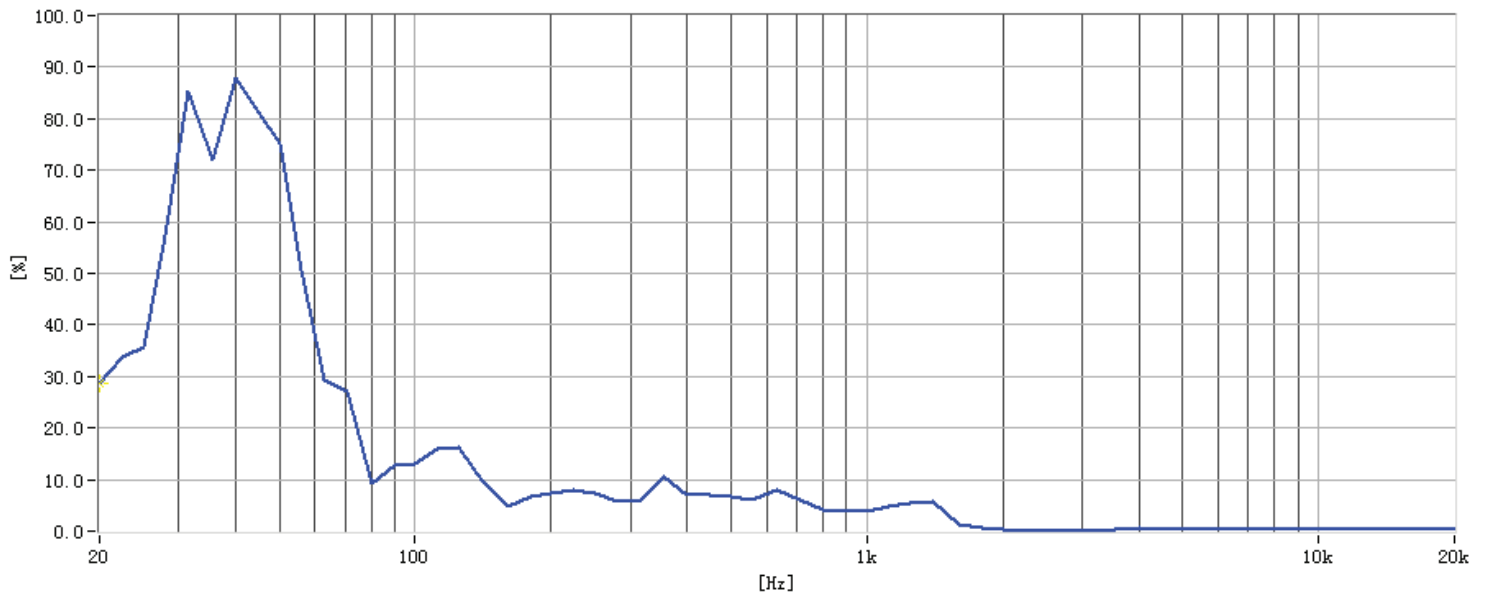


## RESPONSE CURVES

### Frequency Response Curve



### Total Harmonic Distortion Curve



## REVISION HISTORY

| rev. | description     | date       |
|------|-----------------|------------|
| 1.0  | initial release | 04/23/2024 |

The revision history provided is for informational purposes only and is believed to be accurate.



CUI Devices offers a one (1) year limited warranty. Complete warranty information is listed on our website.

CUI Devices reserves the right to make changes to the product at any time without notice. Information provided by CUI Devices is believed to be accurate and reliable. However, no responsibility is assumed by CUI Devices for its use, nor for any infringements of patents or other rights of third parties which may result from its use.

CUI Devices products are not authorized or warranted for use as critical components in equipment that requires an extremely high level of reliability. A critical component is any component of a life support device or system whose failure to perform can be reasonably expected to cause the failure of the life support device or system, or to affect its safety or effectiveness.

[cuidevices.com](http://cuidevices.com)