

MODEL: CUSA-TR071-01-400-TH67 | **DESCRIPTION:** ULTRASONIC SENSOR

FEATURES

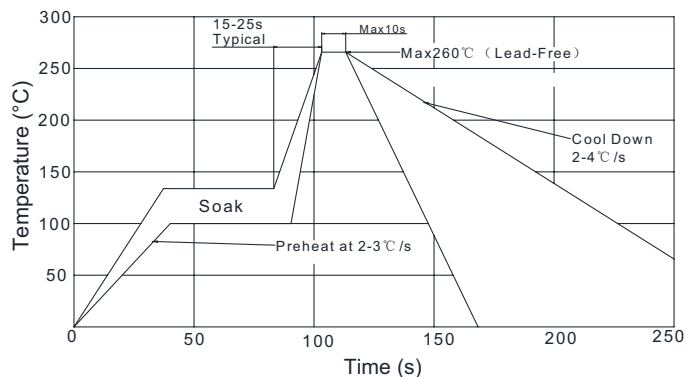
- aluminum can
- IP67 rated
- combination unit: receiver & transmitter
- high frequency


SPECIFICATIONS

| parameter | conditions/description | min | typ | max | units |
|-----------------------|-------------------------------|------|-----|------|--------|
| type | transmitter/receiver | | | | |
| operating voltage | at 300 kHz | | | 400 | Vp-p |
| frequency | | 285 | 300 | 315 | kHz |
| echo sensitivity | at 0.2 m | 200 | | | mV |
| directivity | at -6 dB | 5 | 7 | 9 | degree |
| capacitance | at 1 kHz | 280 | 400 | 520 | pF |
| detectable range | | 0.05 | | 1.0 | m |
| response time | at 200 Vp-p, 300 kHz | | | 0.29 | ms |
| dimensions | Ø13 x 9 | | | | mm |
| material | aluminum | | | | |
| terminal | pins (brass with tin plating) | | | | |
| weight | | | 3.2 | | g |
| operating temperature | | -40 | | 80 | °C |
| storage temperature | | -40 | | 85 | °C |
| RoHS | yes | | | | |
| IP level | IP67 | | | | |

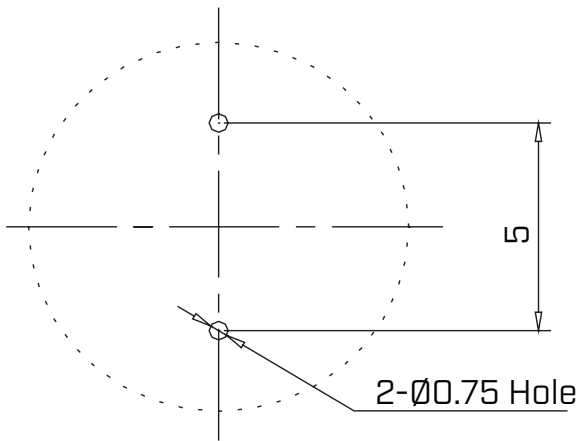
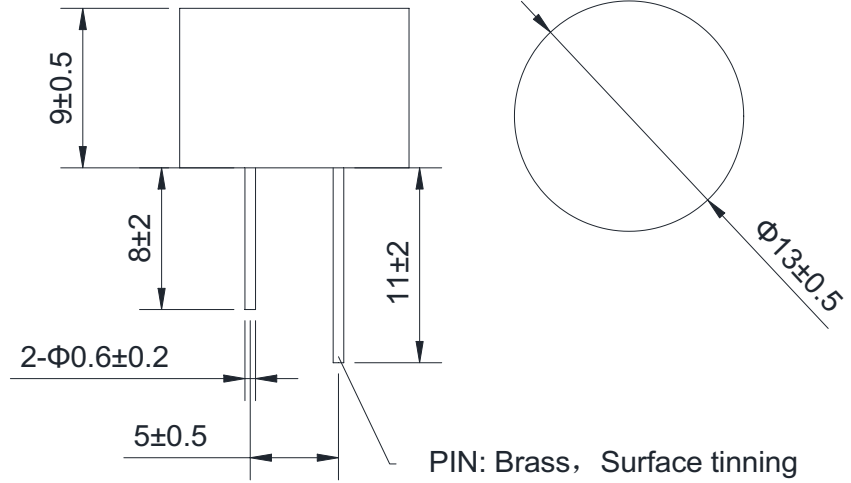
SOLDERABILITY

| parameter | conditions/description | min | typ | max | units |
|----------------|------------------------|-----|-----|-----|-------|
| wave soldering | | | | 260 | °C |

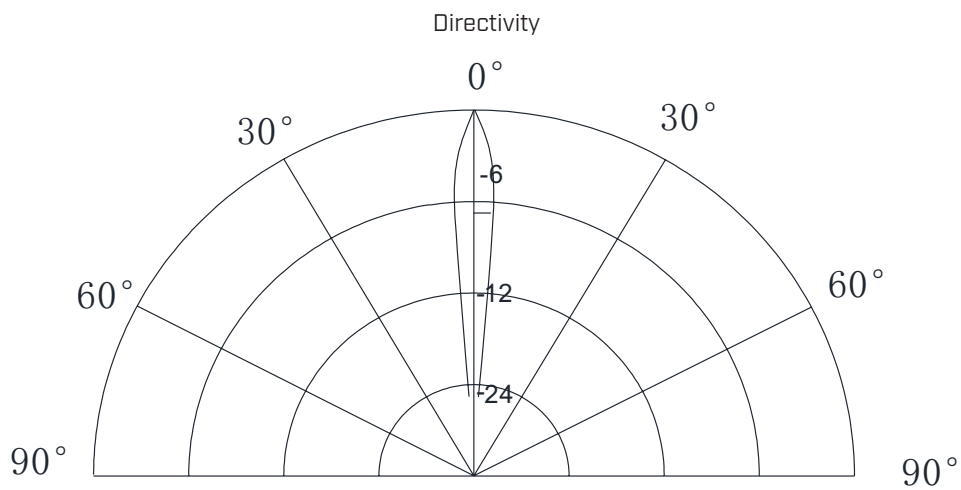


MECHANICAL DRAWING

units: mm



BEAM PATTERNS



PACKAGING

units: mm

Tray Size: 235 x 135 x 30 mm

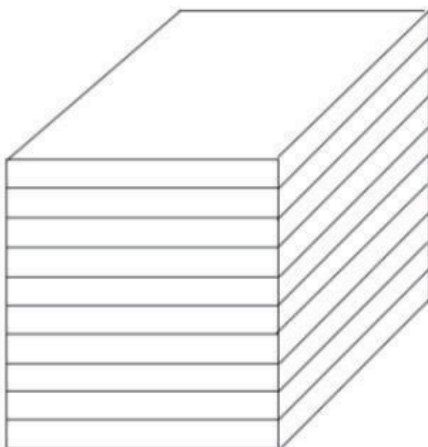
Tray QTY: 50 pcs per tray

Carton Size: 280 x 285 x 240 mm

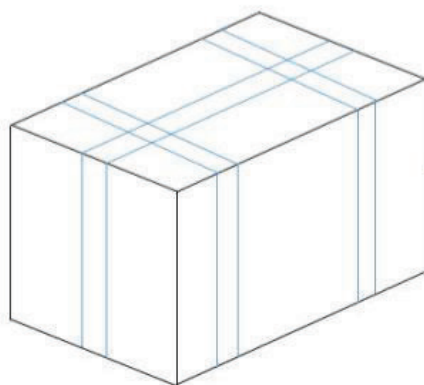
Carton QTY: 1,000 pcs per carton



50PCS/BOX
BOX SIZE:23.5*13.5*3CM



10BOXES/STACK, TOTAL 500PCS
STACK SIZE 23.5*13.5*31CM



1000PCS/CARTON
CARTON SIZE:28*28.5*24CM

REVISION HISTORY

| rev. | description | date |
|------|------------------------------|------------|
| 1.0 | initial release | 05/24/2022 |
| 1.01 | logo, datasheet style update | 08/05/2022 |

The revision history provided is for informational purposes only and is believed to be accurate.



CUI Devices offers a one (1) year limited warranty. Complete warranty information is listed on our website.

CUI Devices reserves the right to make changes to the product at any time without notice. Information provided by CUI Devices is believed to be accurate and reliable. However, no responsibility is assumed by CUI Devices for its use, nor for any infringements of patents or other rights of third parties which may result from its use.

CUI Devices products are not authorized or warranted for use as critical components in equipment that requires an extremely high level of reliability. A critical component is any component of a life support device or system whose failure to perform can be reasonably expected to cause the failure of the life support device or system, or to affect its safety or effectiveness.

cuidevices.com