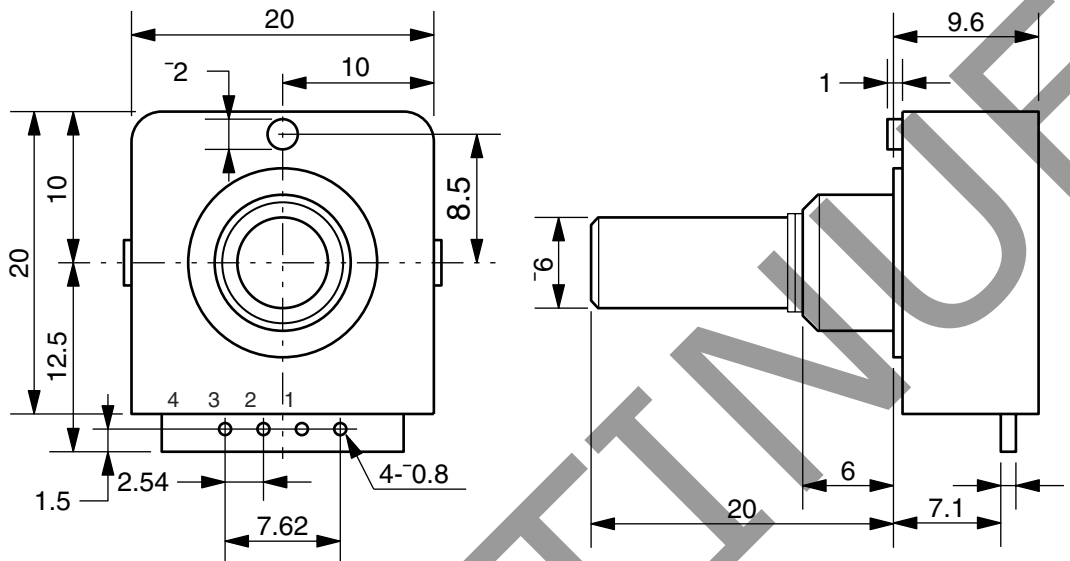


EC204A020A



SPECIFICATIONS

ELECTRICAL

1. Input Voltage: 5.0 VDC $\pm 5\%$
2. Current Consumption: 50 mA max.
3. Resolution: 20 PPR, incremental
4. Phase Difference, chA/chB: $90^\circ \pm 45^\circ$
5. Output: TTL, CMOS compatible
6. Max. Freq. Response: 100 Hz

MECHANICAL

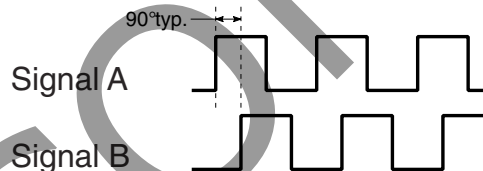
1. Max Shaft Load, radial: 1.0 kgf
axial: 1.0 kgf
2. Rotational Angle: 360° continuous
3. Rotational Torque: 51 gf \cdot cm max.
4. Rotational Life: 1.0×10^6 cycles

ENVIRONMENTAL

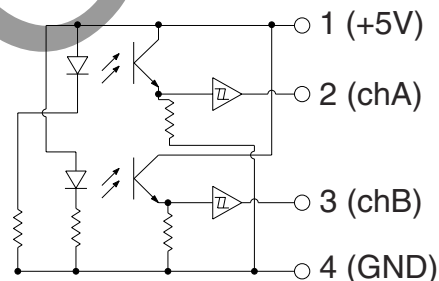
1. Operating Temp: 0° to $+60^\circ$ C
2. Storage Temp: -20° to $+80^\circ$ C
3. Humidity: 85% RH, no condensation
4. Vibration: 10 - 55 Hz, 1.5 mm, 2 hrs
5. Shock: 50G, 6ms, 3 axes, 3 reps

OUTPUT WAVEFORM

Clockwise rotation viewed from front

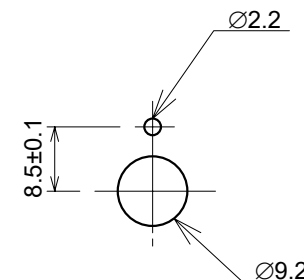


OUTPUT CIRCUIT



CUT-OUT DIMENSIONS

Mounting Panel Thickness:
1.6~2.0mm



CUI Devices
6405 SW Rosewood St, Suite C
Lake Oswego, OR 97035
www.cuidevices.com

DRAWN BY JAS	UPDATED 09/03/20	CHECKED 09/03/20	UNIT
PART NO. EC204A020A			REV B