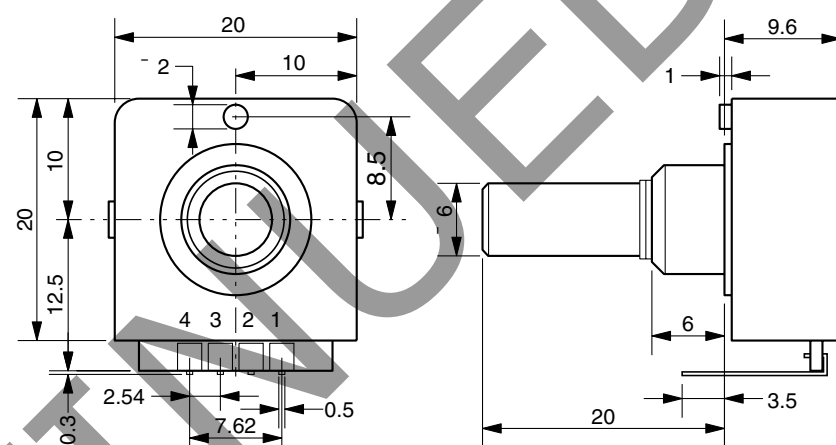


EC204B020B



EC204B020A

**SPECIFICATIONS**

**ELECTRICAL**

1. Input Voltage: 5.0 VDC  $\pm 5\%$
2. Current Consumption: 50 mA max.
3. Resolution: 20 PPR, incremental
4. Phase Difference, chA/chB:  $90^\circ \pm 45^\circ$
5. Output: TTL, CMOS compatible
6. Max. Freq. Response: 100 Hz

**MECHANICAL**

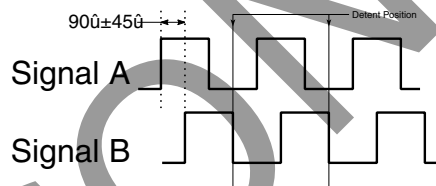
1. Max Shaft Load, radial: 1.0 kgf  
axial: 1.0 kgf
2. Rotational Angle:  $360^\circ$  continuous
3. Detent Torque:  $40 \pm 20$  gf $\cdot$ cm
4. Rotational Life:  $1.0 \times 10^6$  cycles

**ENVIRONMENTAL**

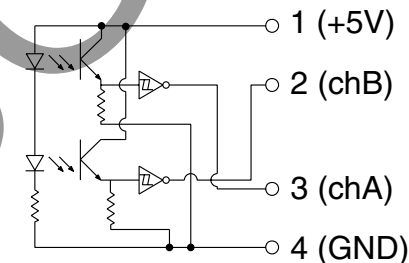
1. Operating Temp:  $0^\circ$  to  $+60^\circ$  C
2. Storage Temp:  $-20^\circ$  to  $+80^\circ$  C
3. Humidity: 85% RH, no condensation
4. Vibration: 10 - 55 Hz, 1.5 mm, 2 hrs
5. Shock: 50G, 6ms, 3 axes, 3 reps

**OUTPUT WAVEFORM**

Counter clockwise rotation viewed from front



**OUTPUT CIRCUIT**



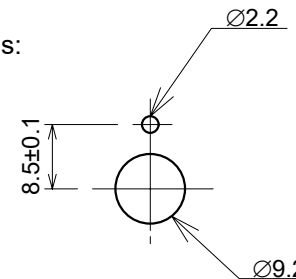
**Ordering Information**

EC204B020

- A: PC Board Pins
- B: Through Holes

**CUT-OUT DIMENSIONS**

Mounting Panel Thickness:  
1.6~2.0mm



CUI Devices 6405 SW Rosewood St, Suite C Lake Oswego, OR 97035 www.cuidevices.com			
DRAWN BY JAS	UPDATED 09/03/20	CHECKED 09/03/20	RELEASED
PART NO. <b>EC204B020X</b>			REV. <b>B</b>