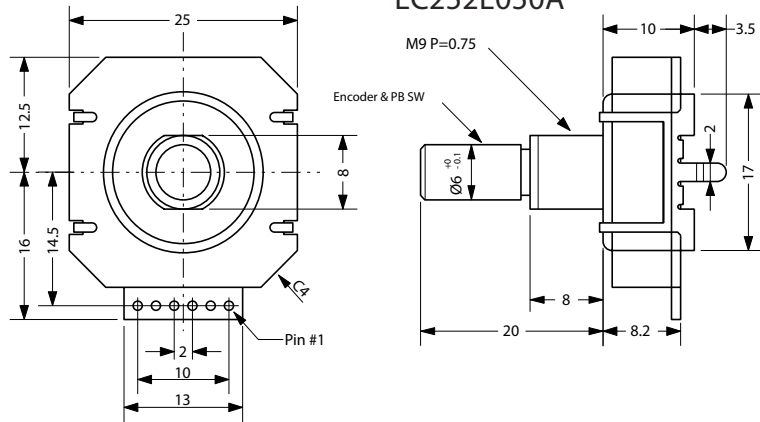
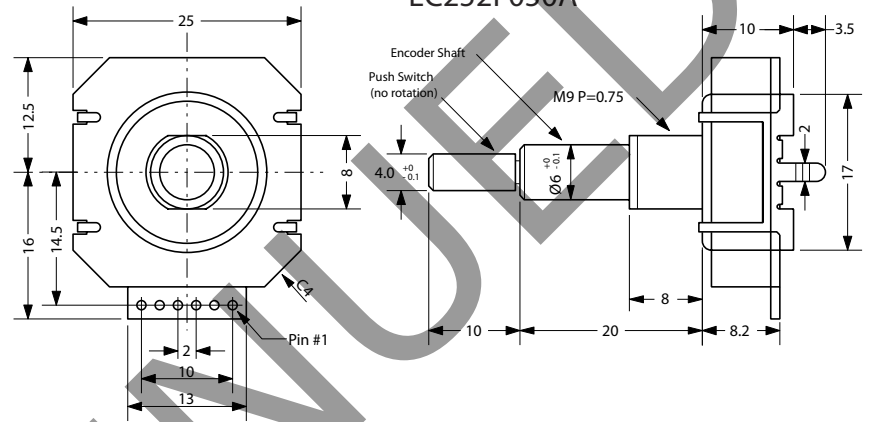


© CUI Devices, 2020

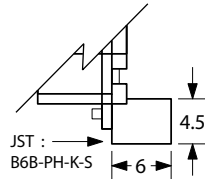
EC252E050A



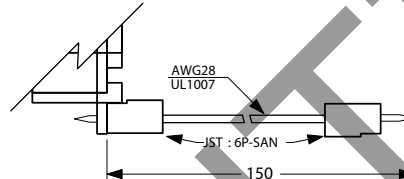
EC252F050A



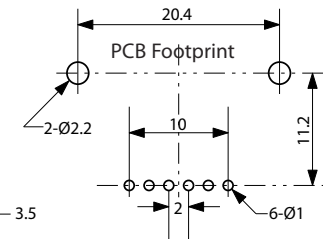
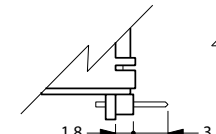
EC252X050B



EC252X050C



EC252X050D



SPECIFICATIONS

ELECTRICAL

1. Input Voltage: 3.3 VDC $\pm 10\%$
2. Resolution: 50PPR
3. Current Consumption: 20mA max.
4. Output Voltage: High: VCC-0.5Vmin
Low: 0.7Vmax
5. Max. Freq. Response: 100Hz

MECHANICAL

1. Max Shaft Load, radial: 1.0 kgf
axial: 1.0 kgf
2. Rotational Angle: 360° continuous
3. Detent Torque: 40 \pm 20 gf cm max.
4. Maximum Speed: 120 RPM
5. Rotational Life: 1,000,000 cycles

ENVIRONMENTAL

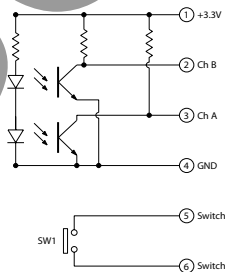
1. Operating Temp: 0° to +60° C
2. Storage Temp: -20° to +80° C
3. Humidity: 85% RH, no condensation
4. Vibration: 10 - 55 Hz, 1.5 mm, 2 hrs
5. Shock: 50G, 6ms, 3 axes, 3 reps

PUSH SWITCH

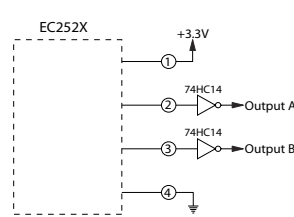
1. Rating: 12VDC, 50mA
2. Contact Resistance: 200m Ω max.
3. Insulation Resistance: 100M Ω min.
4. Voltage Withstand: 250V AC, 1 min.
5. Operating Force: 306~612gf
6. Travel: 0.7mm ± 0.3 mm
7. Bounce: 10ms
8. Life: 1,000,000 cycles

OUTPUT CIRCUIT

INTERNAL CIRCUIT

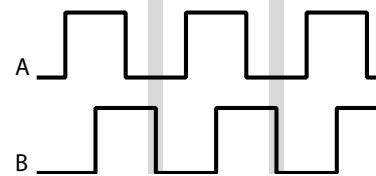


EXTERNAL CIRCUIT



LOGIC PATTERN

(Clock wise rotation view ed from front) ←
Detent P position



ORDERING INSTRUCTIONS

EC252X050XX

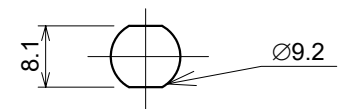
Shaft style:
E = Single shaft
F = Dual concentric shaft

Termination options:
A = Solder holes
B = Connector
C = Cable
D = PC board mount

Jumper:
1 = With JMP1
2 = Without JMP1

CUT-OUT DIMENSIONS

Mounting Panel Thickness:
1.6~2.0mm



CUI Devices
6405 SW Rosewood St, Suite C
Lake Oswego, OR 97035
www.cuidevices.com

DRAWN BY KDW	UPDATED 09/03/20	CHECKED 09/03/20	UNIT MM
PART NO. EC252X050XX			REV. B

