

**MODEL:** PDP-30 | **DESCRIPTION:** POWER DIN PLUG

**FEATURES**

- 3 pin power DIN plug
- modular connector
- cable mount

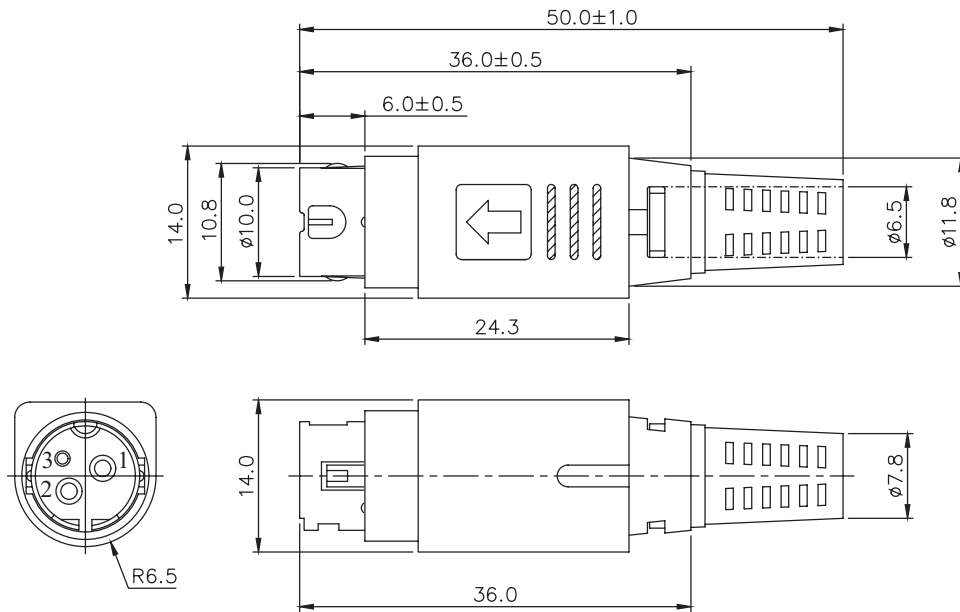

**SPECIFICATIONS**

parameter	conditions/description	min	typ	max	units
rated input voltage			20		Vdc
rated input current	pins 1 & 2 (pin Ø1.5) pin 3 (pin Ø1.0)			7.5 1	A A
insulation resistance	at 250 Vdc	50			MΩ
voltage withstand	for 1 minute			250	Vac
insertion force				4.5	kg
withdrawal force				3.5	kg
operating temperature		-20		85	°C
flammability rating	UL94V-0				
RoHS	yes				

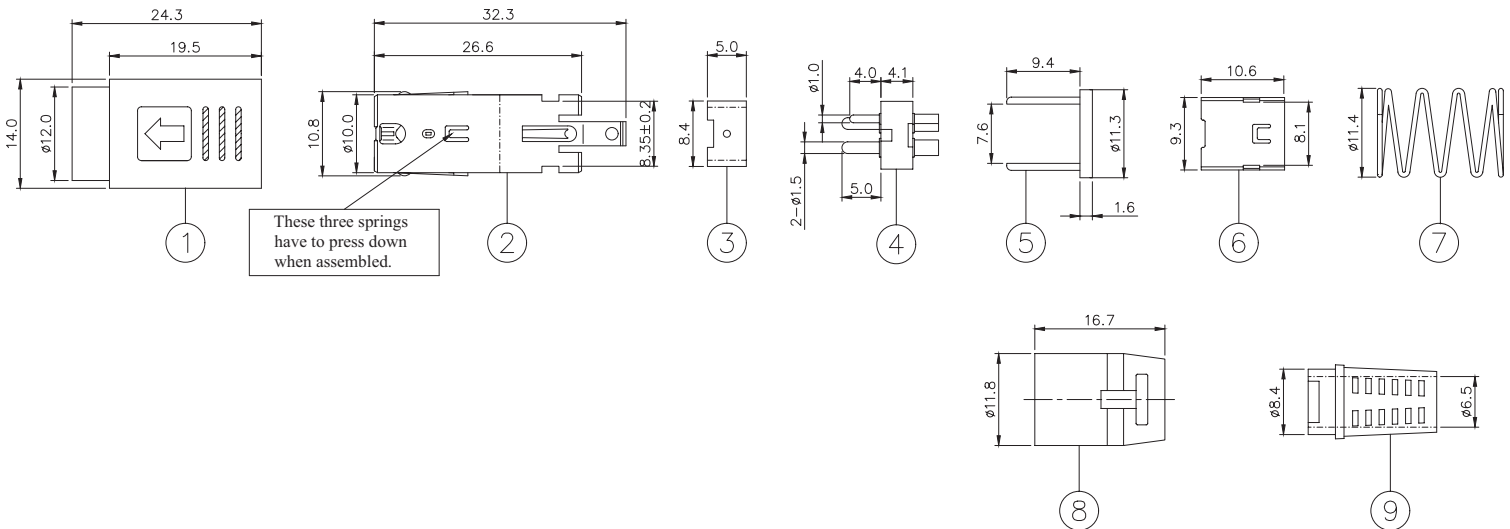
## MECHANICAL DRAWING

units: mm  
tolerance:  $\pm 0.3$  mm  
unless otherwise noted

ITEM	DESCRIPTION	MATERIAL	PLATING/COLOR
1	outer hood	ABS (UL94V-0)	black
2	sleeve	brass	nickel
3	clamp	brass	nickel
4	terminals body	brass PBT (UL94V-0)	silver
5	ring	POM (UL94V-0)	
6	metal shell	brass	nickel
7	coil spring	steel	nickel
8	inner hood	ABS (UL94V-0)	black
9	strain relief	PVC (UL94V-0)	black



## ASSEMBLY INSTRUCTION



## REVISION HISTORY

rev.	description	date
1.0	initial release	12/01/2008
1.01	updated housing, brand update	10/14/2019
1.02	modified design, changed factory	02/17/2022
1.03	logo, datasheet style update	08/05/2022

The revision history provided is for informational purposes only and is believed to be accurate.



CUI Devices offers a one (1) year limited warranty. Complete warranty information is listed on our website.

CUI Devices reserves the right to make changes to the product at any time without notice. Information provided by CUI Devices is believed to be accurate and reliable. However, no responsibility is assumed by CUI Devices for its use, nor for any infringements of patents or other rights of third parties which may result from its use.

CUI Devices products are not authorized or warranted for use as critical components in equipment that requires an extremely high level of reliability. A critical component is any component of a life support device or system whose failure to perform can be reasonably expected to cause the failure of the life support device or system, or to affect its safety or effectiveness.

[cuidevices.com](http://cuidevices.com)