

**SERIES:** SD-J | **DESCRIPTION:** STANDARD DIN CONNECTOR

**FEATURES**

- plastic bushing
- strain relief
- 3-13 pin options


**PART NUMBER KEY**
**SD - XX J**

Base Number

Pin Options

- 30\* = 3 pins
- 40\* = 4 pins
- 50\* = 5 pins
- 60\* = 6 pins
- 70 = 7 pins
- 80\* = 8 pins
- 81 = 8 pins
- 130\* = 13 pins

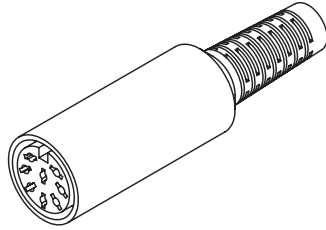
Note: \*. Discontinued SD-30J, SD-40J, SD-50J, SD-60J, SD-80J & SD-130J models.

**SPECIFICATIONS**

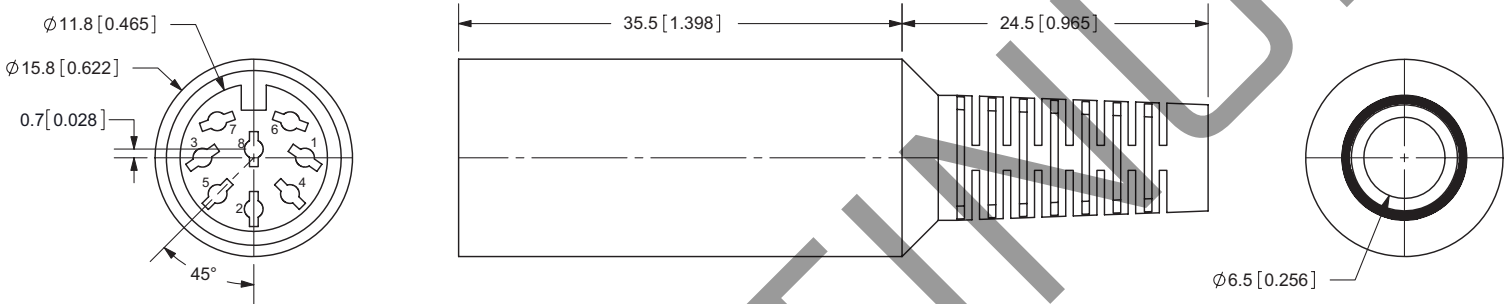
parameter	conditions/description	min	typ	max	units
rated input voltage			100		Vac
rated input current				2	A
contact resistance				50	mΩ
insulation resistance	at 500 Vdc	100			MΩ
voltage withstand	at 50/60Hz for 1 minute			1,000	Vac
operating temperature		-5		110	°C
RoHS	yes				

## MECHANICAL DRAWINGS

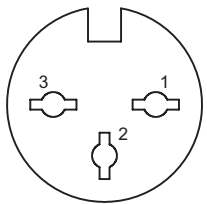
units: mm[inches]  
tolerance: ±0.1mm



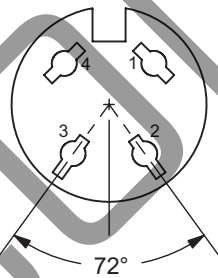
	MATERIAL	PLATING
pins	brass	silver
shell	steel	nickel
insulator (30-80, 130)	PC	
insulator (81)	ABS	
boot (30-80, 130)	EVA	
boot (81)	PE	



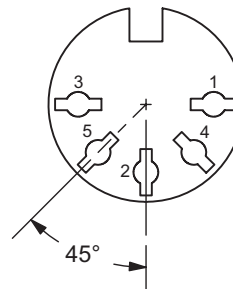
**SD-30J**



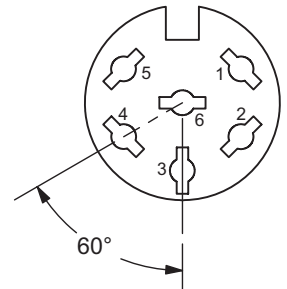
**SD-40J**



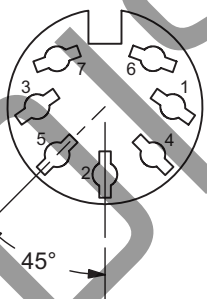
**SD-50J**



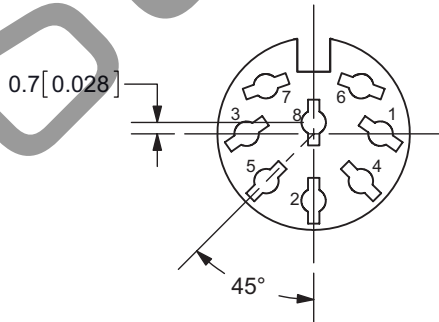
**SD-60J**



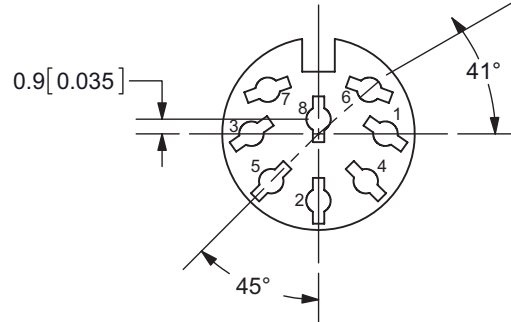
**SD-70J**



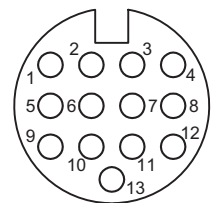
**SD-80J**



**SD-81J**



**SD-130J**



## REVISION HISTORY

rev.	description	date
1.0	initial release	02/23/2006
1.01	new template applied	02/22/2012
1.02	corrected center pin positioning on SD-80J and SD-81J	10/01/2013
1.03	updated datasheet	05/13/2015
1.04	updated datasheet	09/08/2017
1.05	updated datasheet	07/24/2018
1.06	brand update	02/19/2020
1.07	logo, datasheet style update	08/05/2022
1.08	discontinued models SD-30J, SD-40J, SD-50J, SD-60J, SD-80J & SD-130J	09/26/2022

The revision history provided is for informational purposes only and is believed to be accurate.



CUI Devices offers a one (1) year limited warranty. Complete warranty information is listed on our website.

CUI Devices reserves the right to make changes to the product at any time without notice. Information provided by CUI Devices is believed to be accurate and reliable. However, no responsibility is assumed by CUI Devices for its use, nor for any infringements of patents or other rights of third parties which may result from its use.

CUI Devices products are not authorized or warranted for use as critical components in equipment that requires an extremely high level of reliability. A critical component is any component of a life support device or system whose failure to perform can be reasonably expected to cause the failure of the life support device or system, or to affect its safety or effectiveness.

[cuidevices.com](http://cuidevices.com)