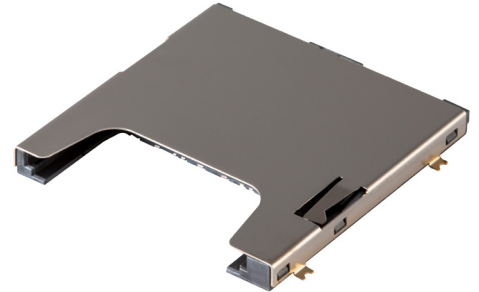


MODEL: SD4-1-A | **DESCRIPTION:** SD 4.0 CARD CONNECTOR**FEATURES**

- SD 4.0 card connector
- push in, auto eject out
- card detect switch
- gold flash
- surface mount
- UL94V-0

**SPECIFICATIONS**

parameter	conditions/description	min	typ	max	units
rated voltage				30	V
rated current				0.5	A
contact resistance ¹				100	mΩ
insulation resistance	at 500 Vdc, between adjacent circuits	1,000			MΩ
voltage withstand	for 1 minute, between adjacent circuits		100		Vac
insertion force	at a rate of 25 mm/min			10	N
withdrawal force	at a rate of 25 mm/min	0.5			N
life			5,000		cycles
operating temperature		-40		85	°C
flammability rating	UL94V-0				
RoHS	yes				

Note: 1. When measured at 20 mV / 100 mA.

SOLDERABILITY

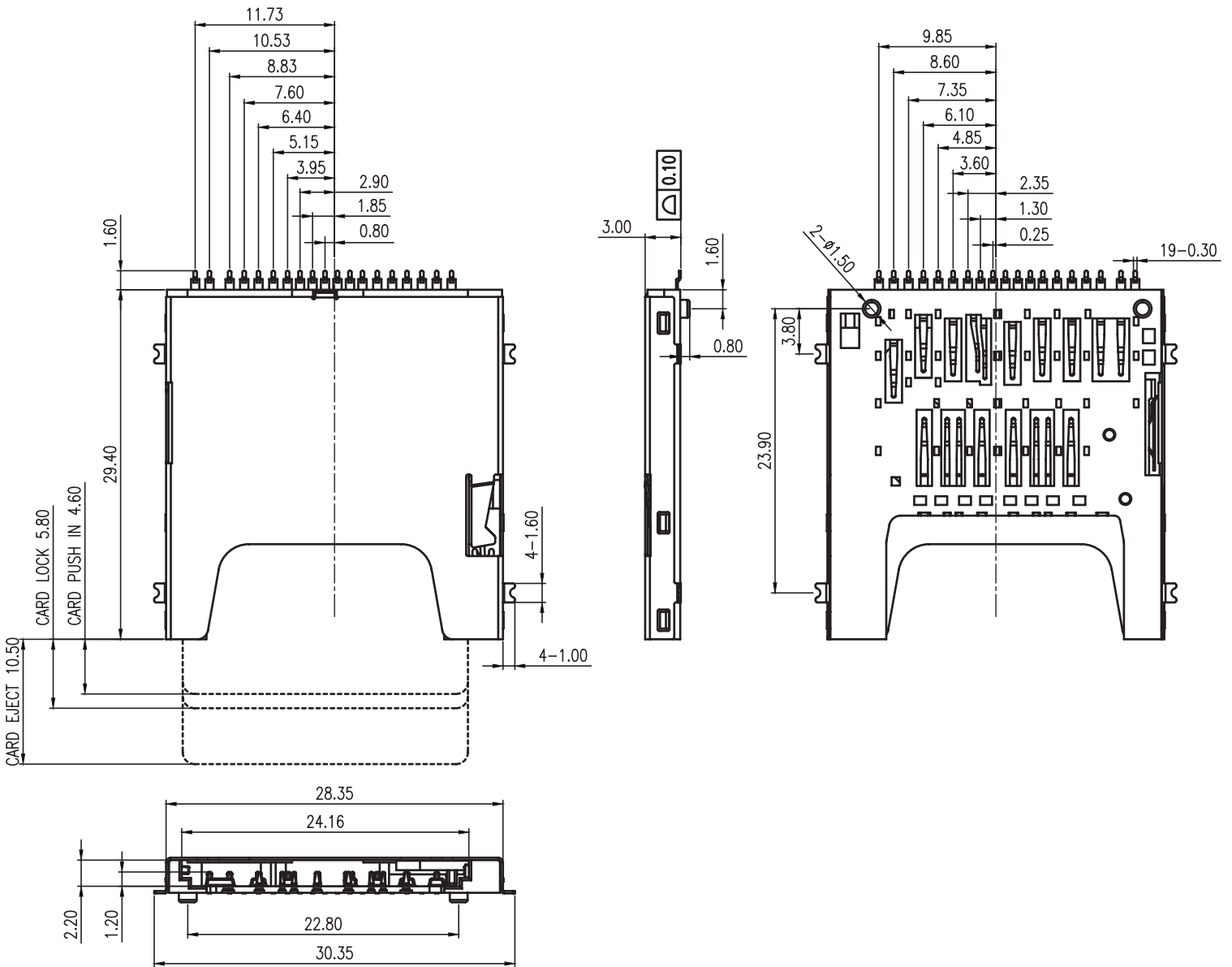
parameter	conditions/description	min	typ	max	units
reel storage	at relative humidity 40-70% reel opened: use within 1 month reel unopened: up to 15 month shelf life	16	22	28	°C
reflow soldering	see reflow profile			250	°C



MECHANICAL DRAWING

units: mm
 tolerance:
 X.X ±0.30 mm
 X.XX ±0.20 mm
 X.XXX ±0.10 mm
 unless otherwise specified

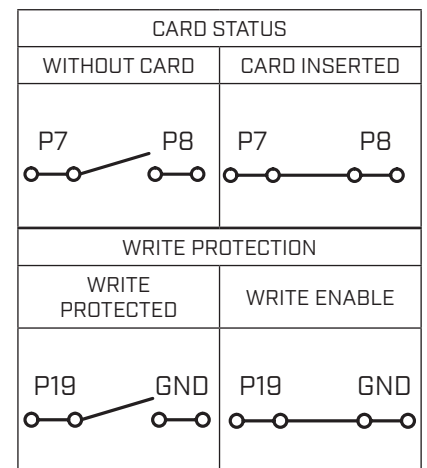
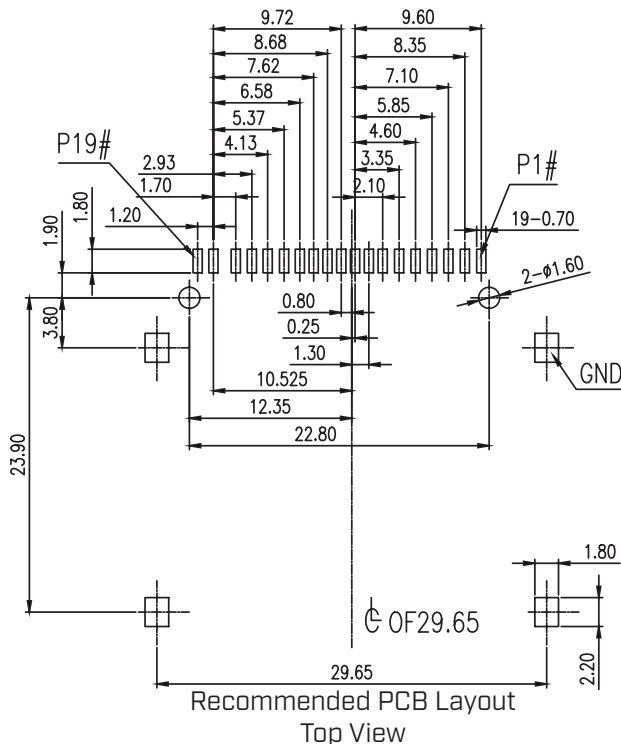
DESCRIPTION	MATERIAL	PLATING/COLOR
housing	LCP 30% GF (UL94V-0)	black
contact terminals	phosphor bronze t=0.15 mm	contact area: gold flash over nickel solder area: tin over nickel
cover	SUS304 t=0.2 mm	solder area: gold flash over nickel



MECHANICAL DRAWING (CONTINUED)

units: mm
PCB tolerance: ±0.05 mm

PIN CONNECTIONS							
CONNECTOR PIN#	SD CARD PIN#	SD MODE			UHS-II MODE		
		SIGNAL NAME	TYPE	DESCRIPTION	SIGNAL NAME	TYPE	DESCRIPTION
P1	10	-	-	NOT USED	VSS3	S	SUPPLY VOLTAGE GROUND
P2	9	DAT2	I/O/PP	DATA LINE (BIT 2)	-	-	NOT USED
P3	11	-	-	NOT USED	DO+	LVDS	DO+
P4	1	CD/DAT3	I/O/PP	CARD DETECT/DATA LINE (BIT 3)	-	-	NOT USED
P5	12	-	-	NOT USED	DO-	LVDS	DO-
P6	2	CMD	PP	COMMAND/RESPONSE	-	-	NOT USED
P7	CD	CD	-	CARD DETECT SWITCH	CD	-	CARD DETECT SWITCH
P8	3	VSS1	S	SUPPLY VOLTAGE GROUND	VSS1	S	SUPPLY VOLTAGE GROUND
P9	13	-	-	NOT USED	VSS4	S	SUPPLY VOLTAGE GROUND
P10	14	-	-	NOT USED	VDD2	S	SUPPLY VOLTAGE (1.8 V)
P11	4	VDD	S	SUPPLY VOLTAGE	VDD1	S	SUPPLY VOLTAGE (3.3 V)
P12	15	-	-	NOT USED	D1-	LVDS	D1-
P13	5	CLK	I	CLOCK	-	-	NOT USED
P14	16	-	-	NOT USED	D1+	LVDS	D1+
P15	6	VSS2	S	SUPPLY VOLTAGE GROUND	VSS2	S	SUPPLY VOLTAGE GROUND
P16	17	-	-	NOT USED	VSS5	S	SUPPLY VOLTAGE GROUND
P17	7	DAT0	I/O/PP	DATA LINE (BIT 0)	RCLK+	I	RCLK+
P18	8	DAT1	I/O/PP	DATA LINE (BIT 1)	RCLK-	I	RCLK-
P19	WP	WP	-	WRITE PROTECT	WP	-	WRITE PROTECT
GND	-	-	-	COVER GROUND	-	-	COVER GROUND

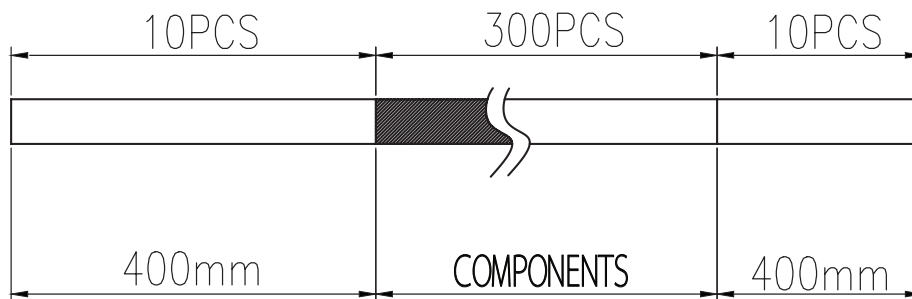
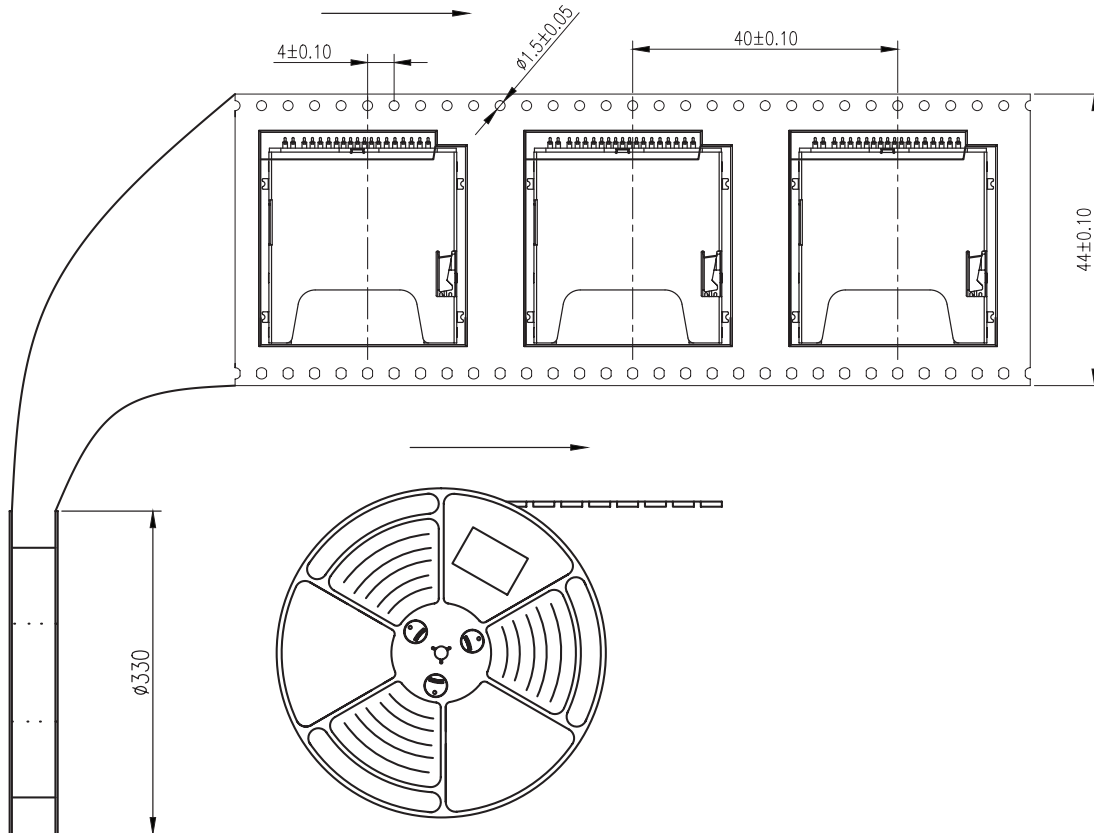


PACKAGING

units: mm

Reel Size: $\varnothing 330$ mm

Reel QTY: 300 pcs per reel



REVISION HISTORY

rev.	description	date
1.0	initial release	10/26/2023

The revision history provided is for informational purposes only and is believed to be accurate.



CUI Devices offers a one (1) year limited warranty. Complete warranty information is listed on our website.

CUI Devices reserves the right to make changes to the product at any time without notice. Information provided by CUI Devices is believed to be accurate and reliable. However, no responsibility is assumed by CUI Devices for its use, nor for any infringements of patents or other rights of third parties which may result from its use.

CUI Devices products are not authorized or warranted for use as critical components in equipment that requires an extremely high level of reliability. A critical component is any component of a life support device or system whose failure to perform can be reasonably expected to cause the failure of the life support device or system, or to affect its safety or effectiveness.

cuidevices.com